

## STR09 Series 433MHz/868MHz +20dBm RF MCU LoRa Transceiver Modules

### Features - Radio

- 433MHz/868MHz ISM Frequency Band, LoRa and (G)FSK, (G)MSK, BPSK modem
- Data rate - up to 300kbps for (G)FSK, up to 62.5kbps for LoRa
- -146dBm receiver sensitivity (LoRa, SF-12, BW-10.4kHz)
- +20dBm RF output Power (adjustable with 1dB step size)
- Packet data, data spectrum shaping, FEC-Forward Error Correction
- High frequency stability by use of TCXO
- Low current consumption - 4.9mA for receive mode, less than 600nA for sleep mode
- Full radio configuration/control and modem/data parameters

### Features - Microcontroller/MCU - (STM32WLE5x/STM32WLE5CCU6)

- 32-bit Arm Cortex-M4 CPU
- 48MHz clock frequency, MPU ve DSP commands
- AES 256-bit encryption, RNG, CRC
- Unique device ID (IEEE802-2001 compatible 64-bit UID), 96-bit unique chip ID
- 256-Kbyte Flash, 64-Kbyte RAM, 20x32-bit backup registers
- Bootloader and OTA (over-the-air) firmware update
- 2x DMA controller (7 channel each), ADC, DAC, SPI, I2C, LPUART,
- USART, AES and timers, 2xUSART (ISO 7816, IrDA, SPI), 1xLPUART, 2xSPI, 3x I2C

### Other

- Power Supply : 1.8V~3.6V
- Operating Temperature : -40°C~+85°C
- Small profile : 43.10mmx28.60mm



MPN	Frequency	Connector
STR09RSH8	868MHz	SMA RF Connector
STR09RSH4	433MHz	SMA RF Connector
STR09CSH8	868MHz	U.FL RF Connector
STR09CSH4	433MHz	U.FL RF Connector



# STR09CSH8

## 868MHz/+20dBm STM32WLE5x MCU+LoRa RF Transceiver Module

Datasheet

## **TABLE OF CONTENTS**

1.	STR09CSH8 868MHz/+20dBm MCU+LoRa RF Transceiver Module in Brief	3
2.	STR09CSH8 Technical Data	7
3.	Programming Aspects of STR09CSH8	8
4.	Setting Modem, Transmitter & Receiver Parameters	10
5.	Module Aspects to Consider for User Application	14
6.	Test Setup and Measurement Results	19
7.	Drawings	22
8.	Ordering Information	23

Revision History

References

# 1. STR09CSH8 868MHz/+20dBm MCU+RF LoRa Transceiver Module in Brief

STR09CSH8 is a small size, compact, low power and easy to use 868MHz LoRa RF Transceiver module based on STMicroelectronics STM32WLE5CCU6 Sub-GHz RF MCU Transceiver IC. It supports LoRa, G(FSK), G(MSK) and BPSK modulations, provides radio configuration and control via the SPI interface and has up to -146dBm RF receiver sensitivity and up to +20dBm RF output power programmable in 1dB steps.

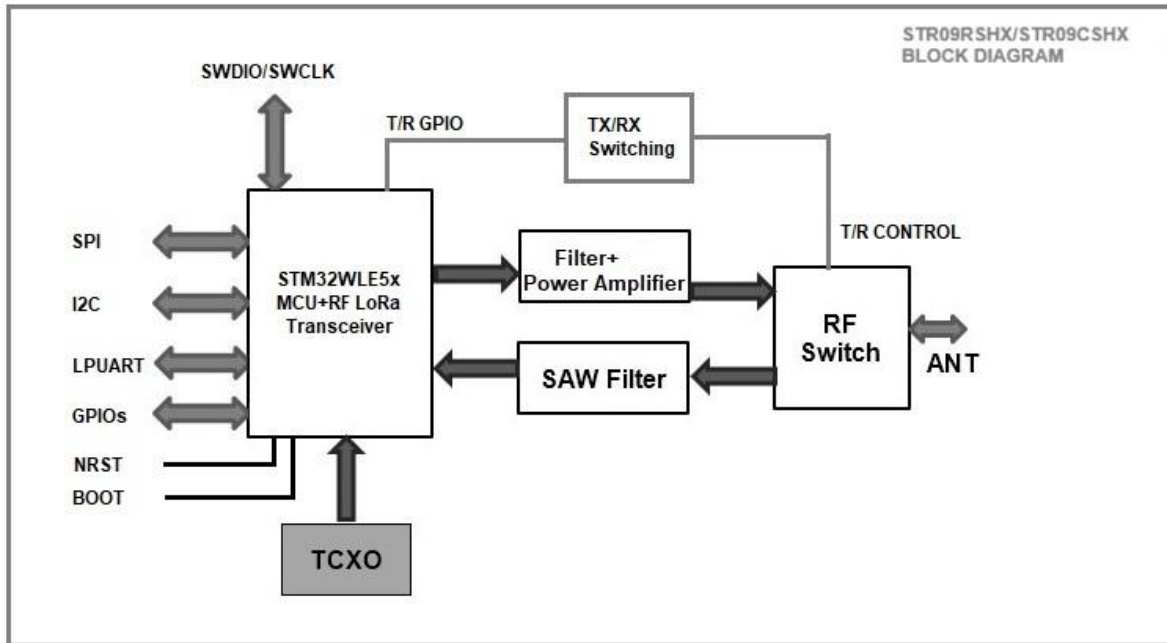


Fig.1 STR09CSH8 functional blocks and interconnections

## Features

### Radio

- Operating frequency 868MHz with LoRa and (G)FSK, (G)MSK, BPSK modem
- Up to 62.5kbps bit rate for LoRa and up to 300kps bit rate for (G)FSK
- Packet mode with data buffer, data whitening codec, FEC-Forward Error Correction
- -146dBm Receiver sensitivity, (@SF12 and LoRa BW-10.4kHz)
- +20dBm (100mWatt) RF output power, adjustable with 1dB steps
- High frequency stability, long range and high performance with TCXO
- Full radio configuration and control
- Fully programmable frequency, modem, packet parameters and radio operational modes

### MCU

- 32-bit Arm Cortex-M4 CPU
- 48MHz clock, MPU and DSP commands
- AES 256-bit encryption, RNG, CRC
- Unique device ID (IEEE802-2001 compliant 64-bit UID), 96-bit unique chip
- 256-Kbyte Flash, 64-Kbyte RAM, 20x32-bit backup memory
- Bootloader and OTA (over-the-air) firmware update
- 2x DMA controller (each - 7 channel), ADC, DAC, SPI, I2C, LPUART,
- USART, AES and timers, 2xUSART (ISO 7816, IrDA, SPI), 1xLPUART, 2xSPI, 3x I2C

### General

- Wide supply range, 1.8V~3.3V operation
- Operating Temperature, -40°C~+85°C
- Low power consumption,
  - 4.8mA in receive mode, 90mA in transmit mode(@20dBm)
- Small Size - 43.86mmx28.47mm

**Application Areas**

- Low-cost consumer electronics applications, ISM band data communication
- Smart Building Automation
- Industrial Monitoring and Control
- Remote Control, Remote Keyless Entry, Remote AMR, Tag Reader
- Wireless Alarm and Security, Wireless Sensor Node



**Fig.2 STR09CSH8 868MHz/+20dBm RF LoRa Transceiver Module**

**LoRa Modulation Technique**

The STR09CSH8 uses Semtech’s patented LoRa modulation technique which combines spread spectrum modulation and forward error correction techniques to increase the range and robustness of radio communication links compared with traditional FSK or OOK based modulation. This high sensitivity, in contrast to conventional modulation techniques, permits an increase in link budget and increased immunity to in-band interference, combined with +20dBm RF power output yields industry leading link budget.

LoRa also provides significant advantages in both blocking and selectivity, solving the traditional design compromise between range, interference immunity and energy consumption. In LoRa mode the STR09CSH8 offers ten bandwidth options as in the table below.

Signal Bandwidth	0	1	2	3	4	5	6	7	8	9
BW_L (kHz)	7.81	10.42	15.63	20.83	31.25	41.67	62.5	125	250	500

**Table 1. STR09CSH8 LoRa Mode BW Options**

The spread spectrum LoRa modulation is performed by representing each bit of payload information by multiple chips of information. The rate at which the spread information is sent is referred to as the symbol rate (Rs), the ratio between the nominal symbol rate and chip rate is the spreading factor and represents the number of symbols sent per bit of information. The range of parameters which can be configured are given in the following tables.

Spreading Factor (SF)	5	6	7	8	9	10	11	12
Chips/Symbol	32	64	128	256	512	1024	2048	4096
SNR (dB)	-2.5	-5.0	-7.5	-10.0	-12.5	-15.0	-17.5	-20.0

**Table 2. STR09CSH8 LoRa Mode Spreading Factors**

Note that the spreading factor must be known in advance on both transmit and receive sides of the radio link as different spreading factors are orthogonal to each other. Note also the resulting signal to noise ratio (SNR) required at the receiver input. It is the capability to receive signals with negative SNR that increases the sensitivity, so link budget and range, of the LoRa receiver.

To further improve the robustness of the radio link, STR09CSH8 provides cyclic error coding with different coding rates. By using this coding scheme forward error detection and correction can be applied.

**Differentiating Aspects of The STR09CSH8 868MHz LoRa RF Transceiver Module**

Main performance contributors of STR09CSH8 are the use of TCXO for high frequency stability and precision, use of harmonic filters for transmitter harmonic suppression and use of 868MHz SAW filter in RX path providing high selectivity which consequently providing high interference immunity and high sensitivity resulting in long range and exceptional bit error rate performance even in highly interfering environments with low SNR/SINR values. TCXO and SAW filter characteristics are given below.

STR09CSH8 is optimized for +20dBm RF power output, PA settings should be arranged according to Section 4. Setting Modem, Transmitter & Receiver Parameters as in Table12B, for other PA configuration settings matching is not optimum and the RF power output may be different from intended usually at a higher current consumption.

**32MHz TCXO - (Temperature Compensated Crystal Oscillator) for High Accuracy and Stability**

Under certain circumstances, like in environments with extreme temperature variation, it is usually required to use a TCXO (Temperature Compensated Crystal Oscillator) to achieve better frequency accuracy. This depends on the complete system, transmitter and receiver and especially for LoRa modulation maximum tolerated frequency drifts for different data rates can be found in STM32WLE5x Datasheet. When using the LoRa modulation with *LowDataRateOptimize* set to 0x00, the total frequency drift over the packet transmission time should be minimized and kept lower than *Freq\_drift\_max*:

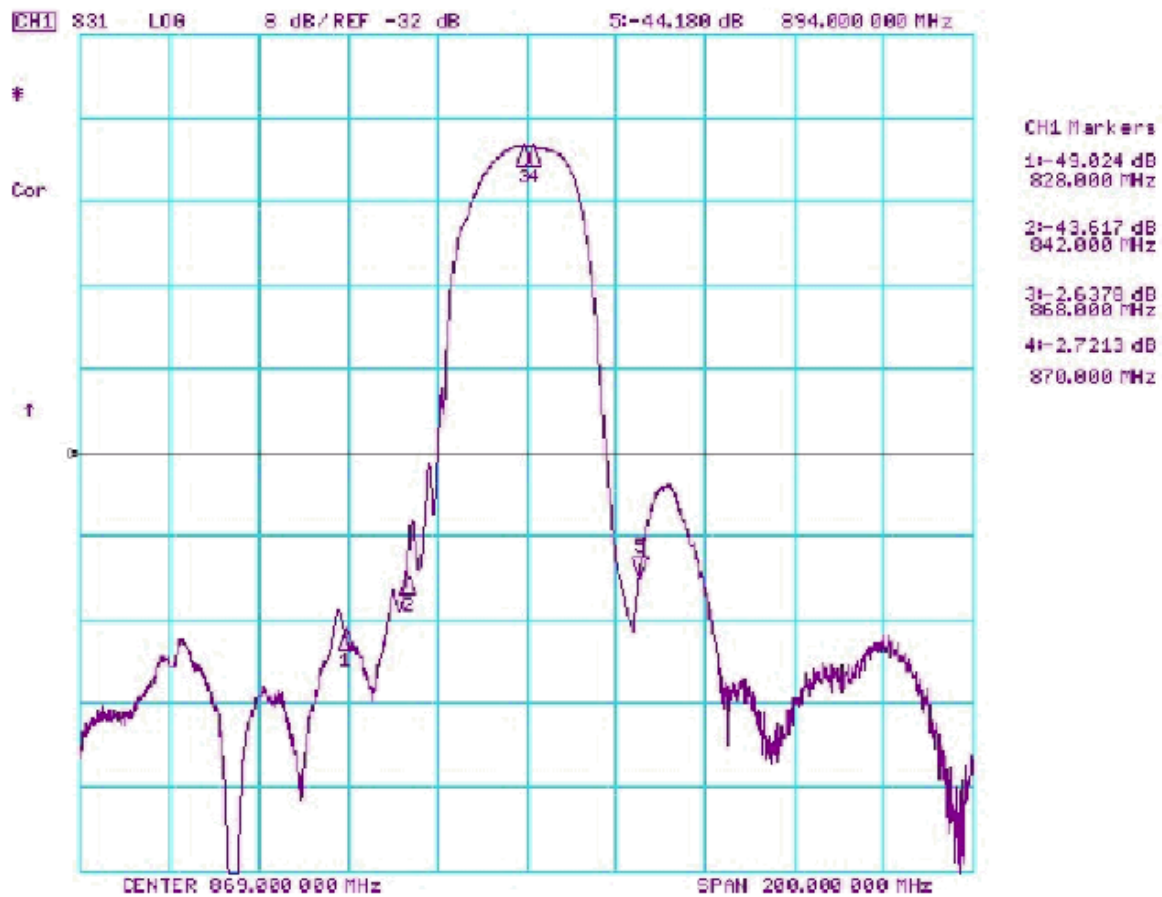
For high accuracy, stability, long range communication link reliability and robustness STR09CSH8 uses TCXO instead of XTAL, TCXO use specific settings are detailed in Section 5. Module Aspects To Consider for User Application

**868MHz SAW Filter for High Selectivity and Interference Immunity**

STR09CSH8 includes a highly selective 868MHz SAW filter in RF frontend in RX path for additional interference suppression. The characteristics of the SAW filter are given in Table 3 and Fig 3 below.

Parameter	Test Conditions	Min	Typical	Max	Unit
Center Frequency		-	869	-	MHz
3-dB Bandwidth		-	11	-	MHz
Attenuation	825 to 828MHz	40	47		dB
	835 to 842MHz	30	39		
	891 to 894MHz	30	42		
	910 to 913MHz	30	47		

**Table 3. STR09CSH8 SAW Filter Characteristics**



**Fig.3 STR09CSH8 RF Front End SAW Filter Frequency Response**

Due to highly selective SAW filter use, severe performance degradations might be expected when operating frequency selected does not fit inside filter BW, therefore for optimal receiver performance an operating frequency in 864MHz-874MHz range should be selected.

## 2. STR09CSH8 Technical Data - Radio

The tables below give the electrical specifications for the STR09CSH8 868MHz MCU+RF LoRa Transceiver Module operating with LoRa, (G)FSK, (G)MSK and BPSK modulation.

Symbol	Parameter	Test Conditions	Min	Typical	Max	Unit
$F_{op}$	Operational Frequency/Band	-	-	868	-	MHz
$S_{RFIN-FSK}$	Sensitivity-FSK	@4.8kbps, BW-20kHz	-	-117	-	dBm
		@0.6kbps, BW-4kHz	-	-122	-	
$S_{RFIN-LoRa}$	Sensitivity-LoRa	@SF12, BW-10.4kHz	-	-146	-	dBm
		@SF7, BW-500kHz	-	-116	-	
$CCR_{FSK}$	Co-channel Rejection-FSK			-9		dB
$CCR_{LoRa}$	Co-channel Rejection-LoRa	@SF12		19		dB
$ACR_{FSK}$	Adjacent-channel Rejection-FSK	+/-50kHz offset		45		dB
$ACR_{LoRa}$	Adjacent-channel Rejection-LoRa	+/-187kHz offset, SF-12		72		dB
$BI_{FSK}$	Blocking Immunity-FSK (4.8kbps, BW-20kHz)	+/-1MHz offset		68		dB
		+/-2MHz offset		70		
		+/-10MHz offset		80		
$BI_{LoRa}$	Blocking Immunity-LoRa (SF12, BW-125kHz)	+/-1MHz offset		88		dB
		+/-2MHz offset		90		
		+/-10MHz offset		99		
$IMA$	Image Attenuation-LoRa	with IQ calibration		54		dB
$IIP_3$	Third Order Intercept Point	Two tone test (1MHz/1.96MHz)	-	-5	-	dBm

**Table 4. RF Radio Receiver/Receive Mode Characteristics**

Symbol	Parameter	Test Conditions	Min	Typical	Max	Unit
$F_{op}$	Operational Frequency/Band	-	-	868	-	MHz
$P_{RFOUT}$	Maximum Output Power	-	-	+20	-	dBm
$P_{RF-sat}$	Power Change Step Size	Programmable	-	1	-	dB
$P_{STEP}$	RF Output Power Range	Programmable	-11	-	+20	dBm
$P_{RMP}$	RF Output Power Ramping Time	Programmable	10	-	3400	usec

**Table 5. RF Radio Transmitter/Transmit Mode Characteristics**

Symbol	Parameter	Test Conditions	Min	Typical	Max	Unit
$F_{step}$	Synthesizer Frequency Step Size	-	-	0.95	-	Hz
$SF_{LoRa}$	Spreading Factor-LoRa	Programmable	5	-	12	-
$BR_{LoRa}$	Bit Rate-LoRa	Programmable	0.018	-	62.5	kbps
$BW_{LoRa}$	Bandwidth-LoRa	Programmable	7.8	-	500	kHz
$BR_{FSK}$	Bit Rate-FSK	Programmable	0.6	-	300	kbps
$FDA_{FSK}$	Frequency Deviation-FSK	Programmable	0.6	-	200	kHz

**Table 6. LoRa/FSK Modem and Frequency Synthesizer Characteristics**

Symbol	Parameter	Test Conditions	Min	Typical	Max	Unit
$V_{IH}$	Input High Voltage		0.7*VCC	-	VCC+0.3	V
$V_{IL}$	Input Low Voltage		-0.3	-	0.3*VCC	V
$V_{OH}$	Output High Voltage		0.9*VCC	-	VCC	V
$V_{OL}$	Output Low Voltage		0	-	0.1*VCC	V
$V_{IL\_NRST}$	Input High Voltage for NRST		-0.3	-	0.2*VCC	V

**Table 7. Digital I/O Characteristics**

Symbol	Parameter	Test Conditions	Min	Typical	Max	Unit
$V_{cc}$	Supply Voltage	-	-	3.3	-	V
$I_{dd\_SLP}$	Current–Sleep mode	-	-	600	-	nA
$I_{dd\_TX}$	Current–Transmit mode	-	-	90	-	mA
$I_{dd\_RX}$	Current–Receive mode	-	-	4.8	-	mA
$T_{op}$	Operational Temperature	-	-40	-	+85	°C

**Table 8. Electrical Specifications**

**Absolute Maximum Ratings**

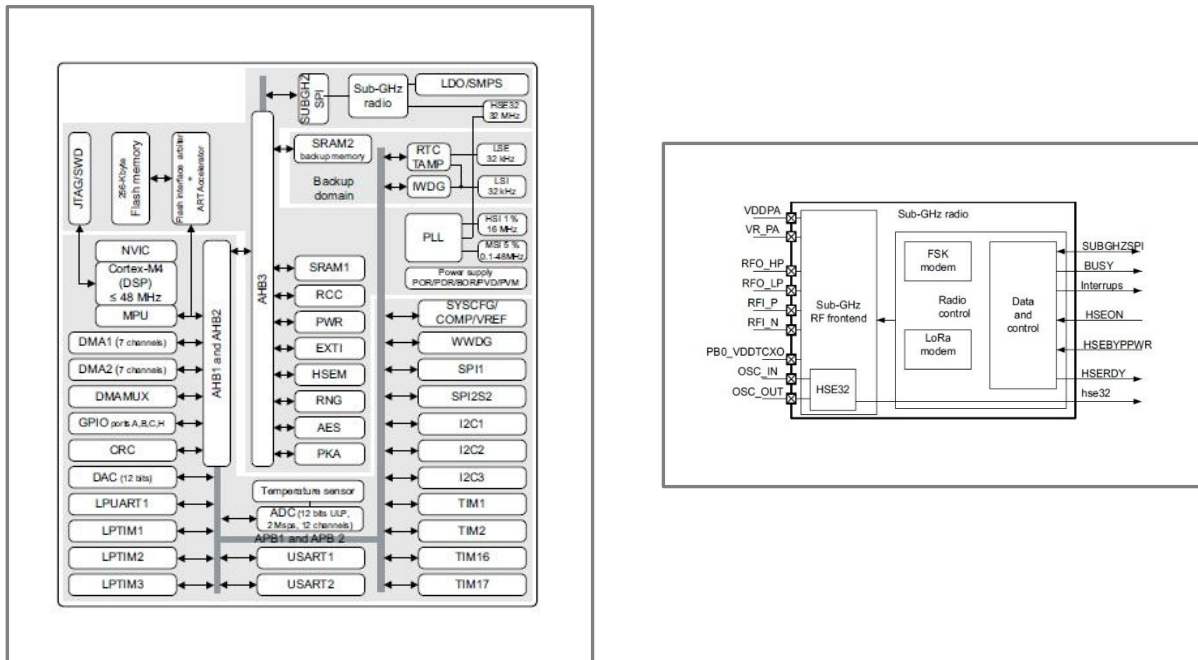
“Absolute maximum ratings” may cause permanent damage to the device and is a stress rating only, functional operation of the device under these conditions for extended periods may affect device reliability.

Symbol	Parameter	Max	Unit
$V_{DD}$	Supply voltage	3.6	V
$T_{op}$	Operational Temperature	-40~+85	°C
$T_{stg}$	Storage Temperature	-50~+150	°C
$ESD$	ESD Rating	2(HBM)	kV

**Table 9. Absolute Maximum Ratings**

**3. Programming Aspects of STR09CSH8**

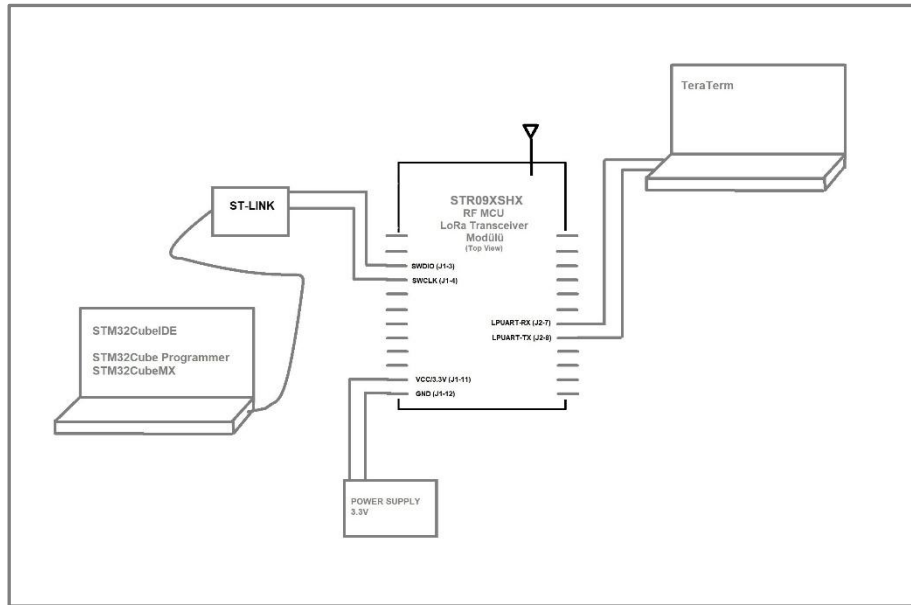
Configuration and programming of STR09CSH8 implies flashing MCU code to STM32WLE5x. As for other STM32 MCUs, STM32WLE5x configuration, programming and debug can be done using ST-LINK and STM Tools/Platforms like STM32Cube IDE, STM32Cube Programmer and STM32CubeMX.



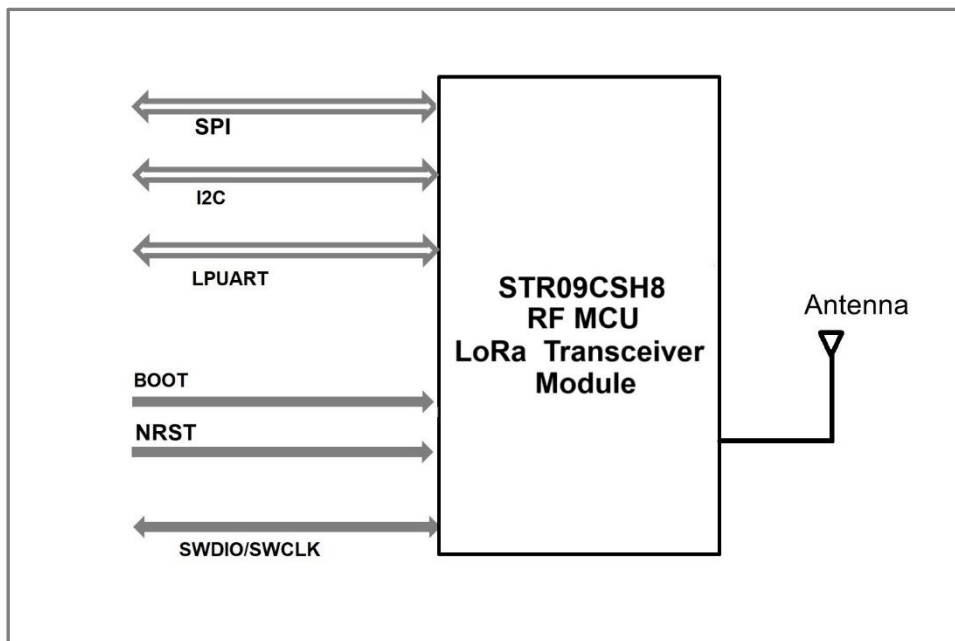
**Fig.4 STM32WLE5x Architecture and Sub-GHz Radio Block**

The STR09CSH8 is based on STM32WLE5CCU6 which has 256-Kbyte Flash memory, 64-Kbyte RAM, 20x32-bit backup register and bootloader supporting USART and SPI interfaces. The STM32WLE5CCU6 and consequently STR09CSH8 is also capable of OTA (over-the-air) firmware update.

Sub-GHz radio of STM32WLE5CCU6 is based on SX1262, therefore in following sections STM32WLE5x and SX1262 for radio part are used interchangeably.



**Fig.5 STR09CSH8 Code Development/Porting/Testing**



**Fig.6 Interfacing STR09CSH8 to external units**

## 4. Setting Modem, Transmitter & Receiver Parameters

The STR09CSH8 contains different modems capable of handling LoRa and FSK modulations. LoRa and FSK are associated with their own frame and modem.

The user specifies the modem and frame type by using the command *SetPacketType(...)*. This command specifies the frame used and consequently the modem implemented. This function is the first one to be called before going to Rx or Tx and before defining frequency, modulation and packet parameters.

### LoRa Modulation Technique and LoRa Parameters

The LoRa modem uses spread spectrum modulation and forward error correction techniques to increase the range and robustness of radio communication links compared to traditional FSK based modulation. An important facet of the LoRa modem is its increased immunity to interference. The LoRa modem is capable of co-channel GMSK rejection of up to 19dB. This immunity to interference permits the simple coexistence of LoRa modulated systems either in bands of heavy spectral usage or in hybrid communication networks that use LoRa to extend range when legacy modulation schemes fail.

#### Modulation Parameter

It is possible to optimize the LoRa modulation for a given application, access is given to the designer to choose four critical design parameters, each one permitting a trade-off between the link budget, immunity to interference, spectral occupancy and nominal data rate. These parameters are:

- Modulation BandWidth (BW\_L)
- Spreading Factor (SF)
- Coding Rate (CR)
- Low Data Rate Optimization (LDRO)

These parameters are set using the command *SetModulationParams(...)* which must be called after *SetPacketType(...)*.

LoRa has its own packet engine that supports the LoRa PHY. More details about LoRa Modem, LoRa Modulation Parameters, LoRa Packet Engine, LoRa Frame and LoRa Channel Activity Detection (CAD) can be found in STM32WLE5x Datasheet and SX1262 Datasheet.

### FSK/(G)FSK Modulation Technique and FSK/(G)FSK Parameters

The FSK modem can perform transmission and reception of 2-FSK modulated packets over a range of data rates from 0.6 kbps to 300 kbps. All parameters are set by using the command *SetModulationParams(...)*. This function should be called only after defining the protocol. The bitrate setting is referenced to the crystal oscillator and provides a precise means of setting the bit rate (or equivalently chip) rate of the radio.

The STR09CSH8 is designed for packet-based transmission. The packet controller block is responsible for assembly of the received data bit-stream into packets and their storage into the data buffer. It also performs the bit-stream decoding operations such as de-whitening & CRC-checks on the received bit-stream. On the transmit side, the packet handler can construct a packet and send it bit by bit to the modulator for transmission. It can whiten the payload and append the CRC-checksum to the end of the packet. The packet controller only works in half-duplex mode i.e. either in transmit or receive at a time. The packet controller is configured using the command *SetPacketParams(...)*

More details about FSK Modem, FSK Modulation Parameters, FSK Packet Format, FSK Frame and CRC use in FSK can be found in STM32WLE5x Datasheet and SX1262 Datasheet.

## RF Frequency, PA and TX Parameters

### RF Frequency Setting

The command *SetRfFrequency(...)* is used to set the frequency of the RF frequency mode. The LSB of Freq is equal to the PLL step giving:

$$Rf\text{frequency} = \frac{Rf\text{Freq}x\text{FXTAL}}{2^{25}}$$

*SetRfFrequency(...)* defines the chip frequency in FS, TX and RX modes. In RX, the frequency is internally lowered to IF (250kHz by default).

Byte	0	1-4
Data from Host	Opcode=0x86	RFfreq(31:0)

**Table 10. RF Frequency Setting**

RF Frequency	RFfreq(31:0)
868MHz	0x36400000
869MHz	0x36500000
870MHz	0x36600000
867MHz	0x36300000
866MHz	0x36200000

**Table 11. STR09CSH8 Typical Frequency Settings**

### PA Configuration

STR09CSH8 PA matching hardware is optimal for +20dBm output power, therefore a sample set of PA settings are provided here.

*paDutyCycle* controls the duty cycle (conduction angle). The maximum output power, the power consumption, and the harmonics will drastically change with *paDutyCycle*. Changing the *paDutyCycle* will affect the distribution of the power in the harmonics and should be selected to work in conjunction with a given matching network. For implemented matching network, *paDutyCycle* can be selected as 0x04.

*hpMax* selects the size of the PA. The maximum output power can be reduced by reducing the value of *hpMax*. For implemented matching network, *hpMax* can be selected as 0x06.

*deviceSel* is reserved and has always the value 0x00.

*paLut* is reserved and has always the value 0x01.

**PA Optimal Settings**

Byte	0	1	2	3	4
Data from Host	Opcode=0x98	paDutyCycle	hpMax	deviceSel	paLut

**Table 12. PA Settings**

Byte	0	1	2	3	4
Data from Host	Opcode=0x98	0x04	0x06	0x00	0x01

**Table 12B. STR09CSH8 Recommended PA Settings**

**TX Parameters**

*SetTxParams* command sets the TX output power by using the parameter *power* and the TX ramping time by using the parameter *RampTime*.

The power ramp time is defined by the parameter *RampTime* as defined in the following table

Byte	0	1	2
Data from Host	Opcode=0x8E	power	RampTime

**Table 13. TX Settings**

Byte	0	1	2
Data from Host	Opcode=0x8E	0x16	0x00

**Table 13B. STR09CSH8 Recommended TX Settings**

RampTime	Value	RampTime(us)
SET_RAMP_10U	0x00	10
SET_RAMP_20U	0x01	20
SET_RAMP_40U	0x02	40
SET_RAMP_80U	0x03	80
SET_RAMP_200U	0x04	200
SET_RAMP_800U	0x05	800
SET_RAMP_1700U	0x06	1700
SET_RAMP_3400U	0x07	3400

**Table 14. PA Ramp Time Settings**

## Data Buffer

The transceiver is equipped with a 256-byte RAM data buffer which is accessible in all modes except sleep mode. This RAM area is fully customizable by the user and allows access to either data for transmission or from the last packet reception.

### Data Buffer in Receive Mode

In receive mode *RxBaseAddr* specifies the buffer offset in memory at which the received packet payload data will be written. The buffer offset of the last byte written in receive mode is then stored in *RxDataPointer* which is initialized to the value of *RxBaseAddr* at the beginning of the reception.

The pointer to the first byte of the last packet received and the packet length can be read with the command *GetRxbufferStatus()*. In single mode, *RxDataPointer* is automatically initialized to *RxBaseAddr* each time the transceiver enters Rx mode. In continuous mode the pointer is incremented starting from the previous position.

### Data Buffer in Transmit Mode

Upon each transition to transmit mode *TxDataPointer* is initialized to *TxBaseAddr* and is incremented each time a byte is sent over the air. This operation stops once the number of bytes sent equals the payloadlength parameter as defined in the function *SetPacketParams(...)*.

### Using the Data Buffer

Both, *RxBaseAddr* and *TxBaseAddr* are set using the command *SetBufferBaseAddresses(...)*. By default *RxBaseAddr* and *TxBaseAddr* are initialized at address 0x00.

Due to the contiguous nature of the data buffer, the base addresses for Tx and Rx are fully configurable across the 256-byte memory area. Each pointer can be set independently anywhere within the buffer. To exploit the maximum data buffer size in transmit or receive mode, the whole data buffer can be used in each mode by setting the base addresses *TxBaseAddr* and *RxBaseAddr* at the bottom of the memory (0x00).

The data buffer is cleared when the device is put into Sleep mode (implying no access). The data is retained in all other modes of operation.

#### Note:

All the received data will be written to the data buffer even if the CRC is invalid, permitting user-defined post processing of corrupted data. When receiving, if the packet size exceeds the buffer memory allocated for the Rx, it will overwrite the transmit portion of the data buffer.

More details about Data Buffer, Use of Data Buffer, Writing to and Reading from Buffer and Registers can be found in STM32WLE5x Datasheet and SX1262 Datasheet.

## 5. Module Aspects To Consider for User Application

STR09CSH8 868MHz MCU+RF LoRa Transceiver module is capable of using LDO Only or LDO+DC-DC mode of operation, uses TCXO for high frequency stability and also uses an RF switch for TX and RX path switching in transmit and receive modes respectively. The user application code should contain proper settings for LDO Only or LDO+DC-DC mode of operation, TCXO use, RF switch use and proper calibration as detailed in following sections.

### LDO Only or LDO plus DC-DC Mode of Operation

In STR09CSH8 two forms of voltage regulation (DC-DC buck converter or linear LDO regulator) are available, the linear LDO regulator is always present in all modes but the transceiver will use DC-DC when selected. By default, only the LDO is used. *SetRegulatorMode(...)* function specifies if DC-DC or LDO is used for power regulation. The user can specify the use of DC-DC by using the command *SetRegulatorMode(...)*. This operation must be carried out in STDBY\_RC mode only. The regulation mode is defined by parameter *regModeParam*.

Byte	0	1
Data from Host	Opcode=0x96	regModeParam 0: Only LDO used for all modes 1: DC_DC+LDO for STBY_XOSC,FS, RX and TX

**Table 15. Regulator Mode Selection**

**Note:**

**Hardware implementation of the STR09CSH8 allows using LDO only or LDO plus DC-DC mode of operations.**

### TCXO for High Frequency Stability (Controlled by PB0-VDD-TCXO)

STR09CSH8 uses TCXO which is automatically power cycled by PB0-VDD-TCXO multifunction I/O pin of STM32WLE5x, therefore the user application should take use of TCXO into account and needs to be configured to automatically control the 32MHz TCXO through the command *SetDio3AsTCXOCtrl(...)*.

Byte	0	1	2-4
Data from Host	Opcode=0x97	tcxoVoltage	delay(23:0)

**Table 16. TCXO Control**

When this command is used, TCXO is controlled through PB0-VDD-TCXO in STDBY, FS, TX and RX modes, the internal state machine will set PB0-VDD-TCXO to a predefined output voltage defined by the parameter *tcxoVoltage*.

tcxoVoltage	Description
0x00	PB0-VDD-TCXO outputs 1.6V to supply the TCXO
0x01	PB0-VDD-TCXO outputs 1.7V to supply the TCXO
0x02	PB0-VDD-TCXO outputs 1.8V to supply the TCXO
0x03	PB0-VDD-TCXO outputs 2.2V to supply the TCXO
0x04	PB0-VDD-TCXO outputs 2.4V to supply the TCXO
0x05	PB0-VDD-TCXO outputs 2.7V to supply the TCXO
0x06	PB0-VDD-TCXO outputs 3.0V to supply the TCXO
0x07	PB0-VDD-TCXO outputs 3.3V to supply the TCXO

**Table 17. TCXO Control Voltage Settings**

**Note:**

**For proper operation of the STR09CSH8, the DIO3 should be configured accordingly, tests are performed with *tcxoVoltage* value of 2.7V( 0x05 in Hex) and *delay(23:0)* value of 4ms (0x0000FF in Hex).**

**Image Calibration for 868MHz Frequency Band**

Image calibration is done through the command *CalibrateImage(...)* for a given range of frequencies defined by the parameters *freq1* and *freq2*. Once performed, the calibration is valid for all frequencies between the two extremes used as parameters. Typically, the user can select the parameters *freq1* and *freq2* to cover any specific ISM band.

Byte	0	1	2
Data from Host	Opcode=0x98	freq1	freq2

**Table 18. Image Calibration for 868MHz frequency band**

By default, the image calibration is made in the band 902MHz-928MHz, therefore it should be repeated by requesting the device to perform a new image calibration for 868MHz frequency band by defining 863MHz-870MHz band.

Frequency Band	freq1	freq2
863MHz-870MHz	0xD7	0xDB

**Table 19. Image Calibration Frequencies**

**Use of RF Switch (controlled by PA9)**

STR09CSH8 uses an RF switch to activate/deactivate TX and RX paths in transmit and receive modes respectively, which is controlled by PA9 multifunction I/O pin of STM32WLE5x, therefore the user application should take use of PA9 GPIO into account detailed as follows.

PA9 will be at a logical 1 during Tx and at a logical 0 in any other mode, will be asserted high a few microseconds before the ramp-up of the PA and will be set to zero after the ramp-down of the PA.

Enable	Description
0x01	PA9 is selected to be used to control an RF switch. In this case: PA9 = 0 in SLEEP, STDBY_RX, STDBY_XOSC, FS and RX modes, PA9 = 1 in TX mode

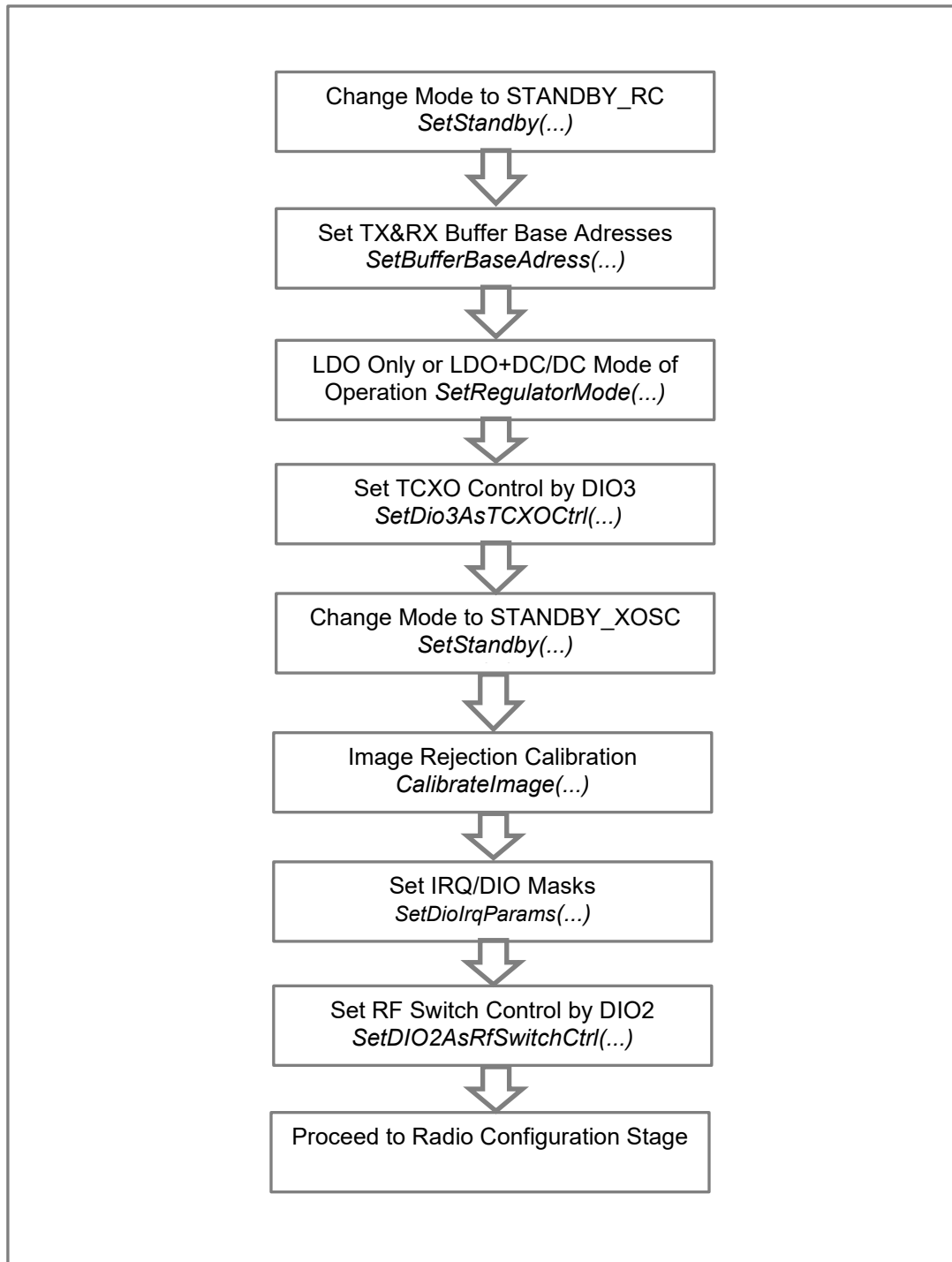
**Table 21. PA9 as RF TX/RX Switch Control**

**Note:**

**For proper operation of the STR09CSH8, the PA9 GPIO should be configured as RF TX/RX switch accordingly.**

**Application Code Structure and Issuing Commands in the Right Order**

STR09CSH8 hardware is suitable for LDO Only or LDO+DC-DC mode of operation, includes an RF switch controlled by a dedicated GPIO PA9 of STM32WLE5x and a TCXO where the control voltage is supplied by PB0-VDD-TCXO pin of STM32WLE5x, therefore related IRQ/DIO mask settings, TCXO settings and RF switch settings should be configured, transmit and receive buffer base addresses should be defined and a calibration should be performed before radio configuration and operation.



**Fig.7 Configuration and Settings - Standby Mode**

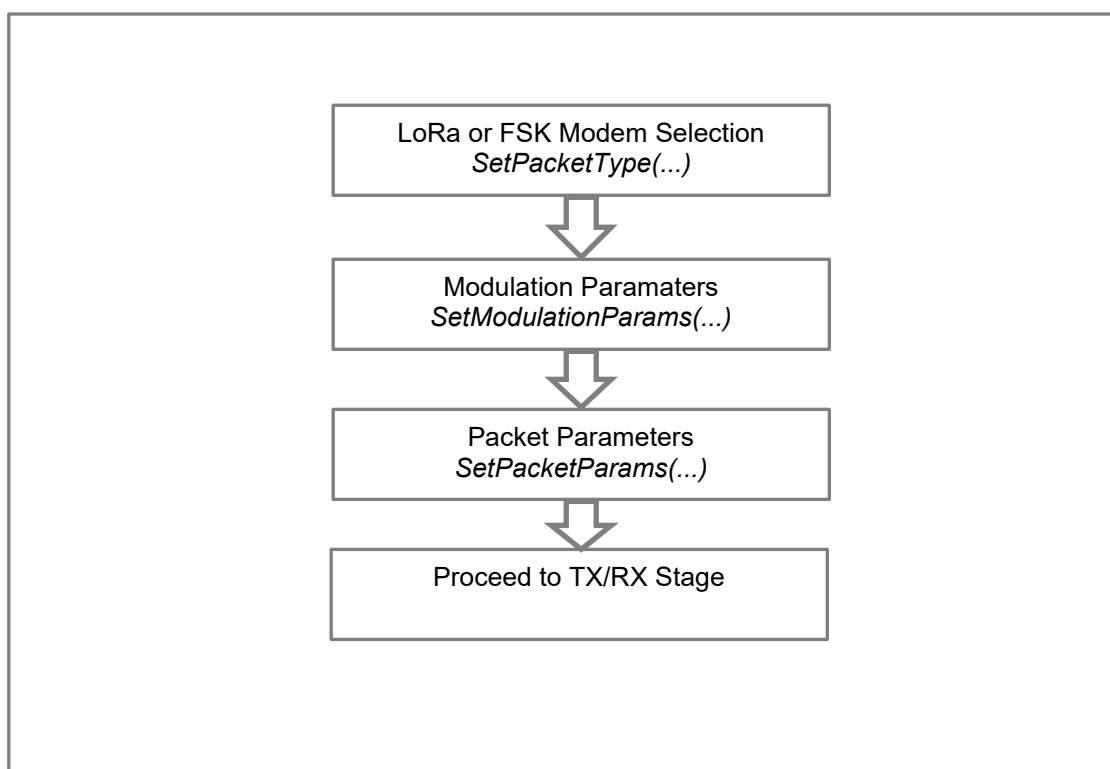
Most of the commands can be sent in any order except for the radio configuration commands which will set the radio in the proper operating mode.

It is mandatory to set the radio protocol using the command *SetPacketType(...)* as a first step before issuing any other radio configuration commands.

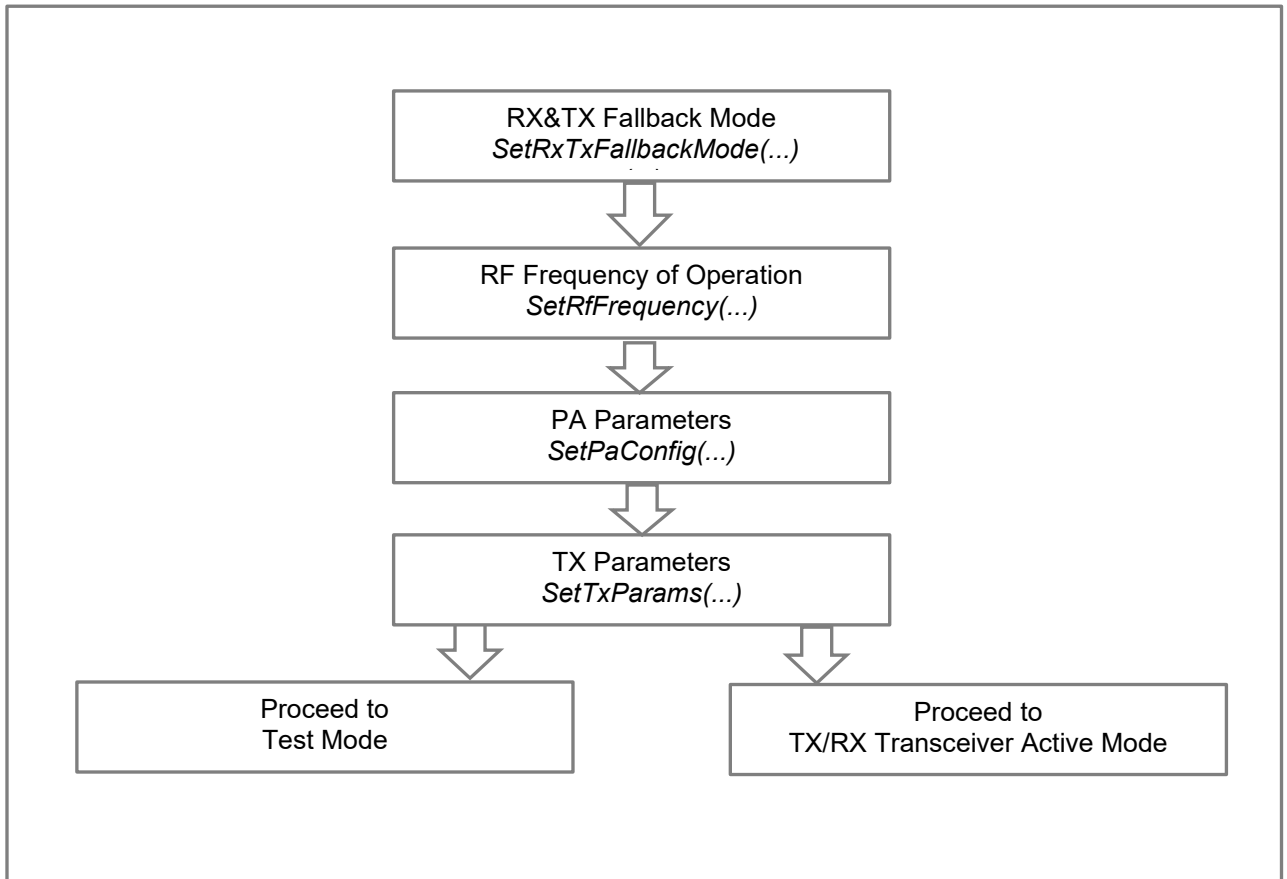
In a second step, the user should define the modulation parameter according to the chosen protocol with the command *SetModulationParams(...)*.

Finally, the user should then select the packet format with the command *SetPacketParams(...)*.

**Note:** If this order is not respected, the behavior of the device could be unexpected



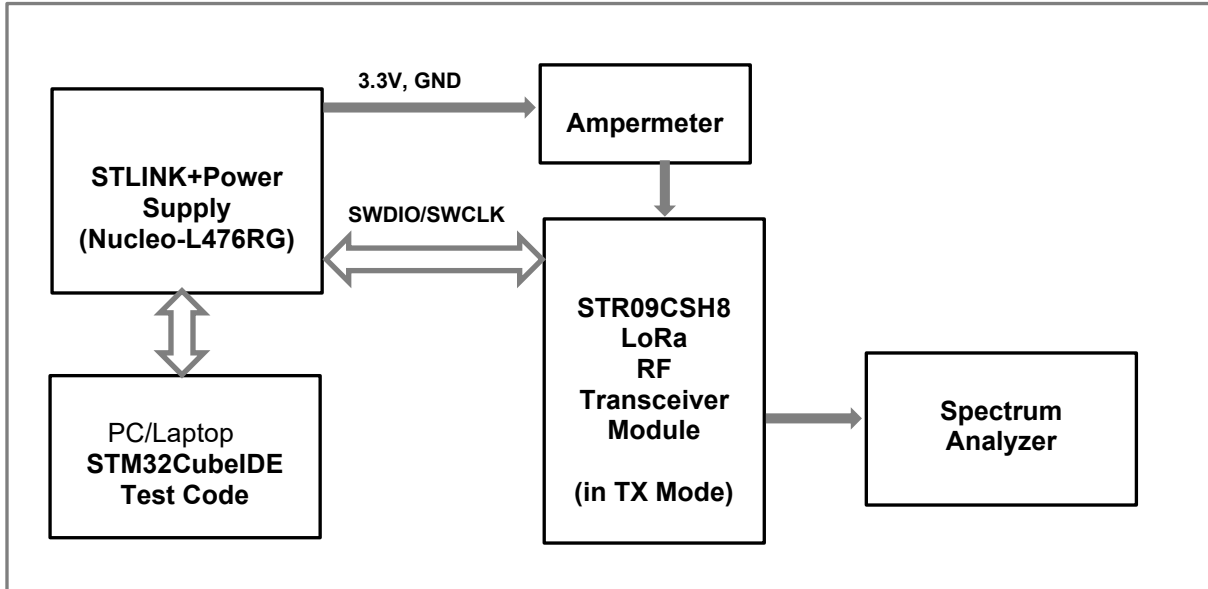
**Fig.8 Configuration and Settings - Modem Selection, Modulation and Packet Parameters**



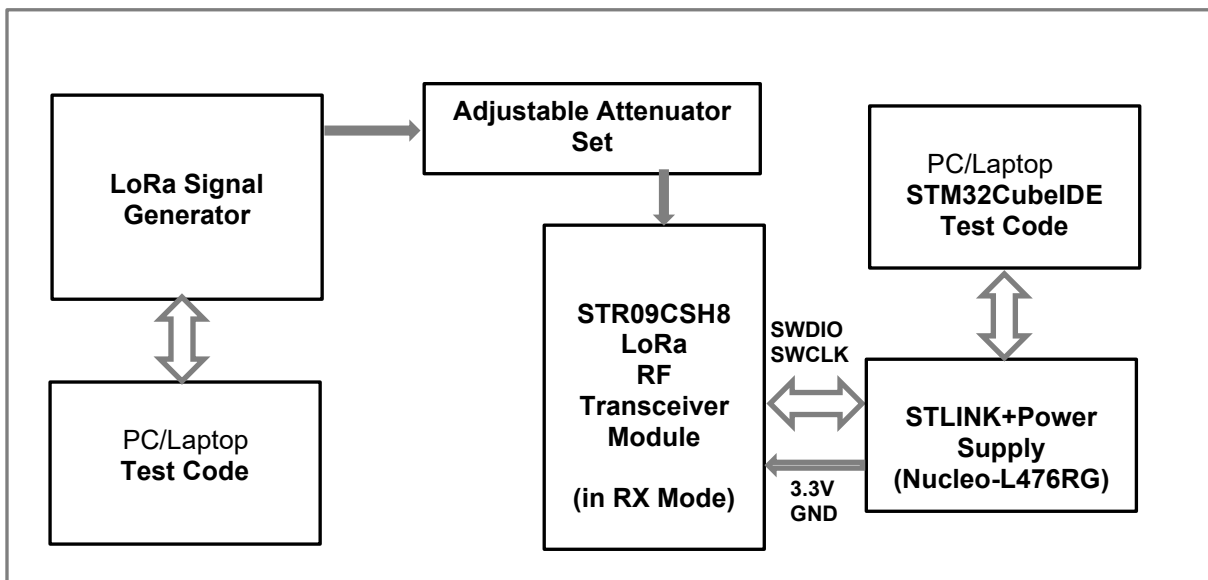
**Fig.9 Configuration and Settings – RF Frequency, PA and TX/RX Parameters**

## 6. Test Setup & Measurement Results

Figure.10 and Figure.11 below depict a simplified diagram used in Transmit Mode RF Output Power/ Harmonic measurements and Receive Mode RF Sensitivity/SNR Measurements respectively. Typical measurement results (for TX Mode and RX Mode) are summarized in following tables, Table 22 to Table 27.



**Fig.10 STR09CSH8 Transmit Mode Test & Measurement Setup**



**Fig.11 STR09CSH8 Receive Mode Test & Measurement Setup**

## Transmit Mode - RF Output Power and Harmonics

STR09CSH8 is optimized for +20dBm RF output power (PA SET-4, paDutyCycle-0x04/hpMax-0x07), typical measurement results for other PA settings are provided below in Table 22, Table 23 shows programmable RF power output for selected TX Settings.

PA Settings vs RF Output Level, Harmonic Levels and Current						
Symbol	Description	PA SET-1 0x02/0x02	PA SET-2 0x02/0x03	PA SET-3 0x04/0x06	PA SET-4 0x04/0x07	Unit
$F_{op}$	Operational Frequency/Band	868	868	868	868	MHz
$P_{RFOUT}$	RF Output Power	+13.3	+15.1	+19.7	+20.7	dBm
$P_{RF-sat}$	Current	39	53	97	103	mA
$P_{HL2}$	2nd Harmonic Level	-60.1	-60.9	-63.1	-62.1	dBc
$P_{HL3}$	3rd Harmonic Level	-71.3	-68.7	-69.4	-68.8	dBc
$P_{HL4}$	4th Harmonic Level	-72.5	-70.3	-74.5	-70.9	dBc
$P_{HL5}$	5th Harmonic Level	-75.9	-73.7	-76.6	-78.3	dBc

**Table 22. PA Settings vs RF Output Level and Harmonics**

TX Settings vs RF Output Level, Frequency-868MHz		
PA SET-4, paDutyCycle-0x04/hpMax-0x07		
	TX Setting (Power/Ramp Time)	RF Output Power (dBm)
	0x16	+20.7
	0x13	+18.2
	0x10	+14.7
	0x0D	+11.7
	0x0A	+8.7
	0x07	+6.7
	0x04	+3.7
	0x01	+0.8
	0xFE	-2.2
	0xFB	-5.2
	0xF8	-8.2
	0xF7	-9.2

**Table 23. TX Settings vs RF Output Power**

**Receive Mode - RF Sensitivity and SNR**

Receive Mode RF Sensitivity/SNR Measurements are summarized through Table 24-27 for different SF and BW configurations.

<b>SF/BW&amp;RF Input Level vs RSSI&amp;SNR-----Sample from Measurements</b>			
<b>Frequency Band-868MHz , LoRa Parameters : SF-7, BW-125kHz</b>			
	<b>RF Input (TX CW Equivalent)</b>	<b>RSSI Instant/RSSI Packet (dBm)</b>	<b>SNR (dB)</b>
	-132dBm	0xD4/0xD2	0x1D
		-106/-105	7.25
	-129dBm	0xD2/0xCE	0x2C
		-105/-103	11.00
	-126dBm	0xC8/0xC6	0x29
		-100/-99	10.25
	-123dBm	0xC2/0xBE	0x2D
		-97/-95	11.25
	-120dBm	0xBC/0xB8	0x30
		-94/-92	12.00
	-110dBm	0xAC/0xA8	0x30
		-86/-84	12.00
	-100dBm	0x9A/0x98	0x31
		-76/-76	12.25

**Table 27. RF Input vs RSSI & SNR (SF-7/BW-125kHz)**

## 7. Drawings

Figure.12 depicts a description of connector pinout and module dimensions for STR09CSH8. A detailed description of the individual pins can be found in Table 28 Connector and Pin Descriptions.

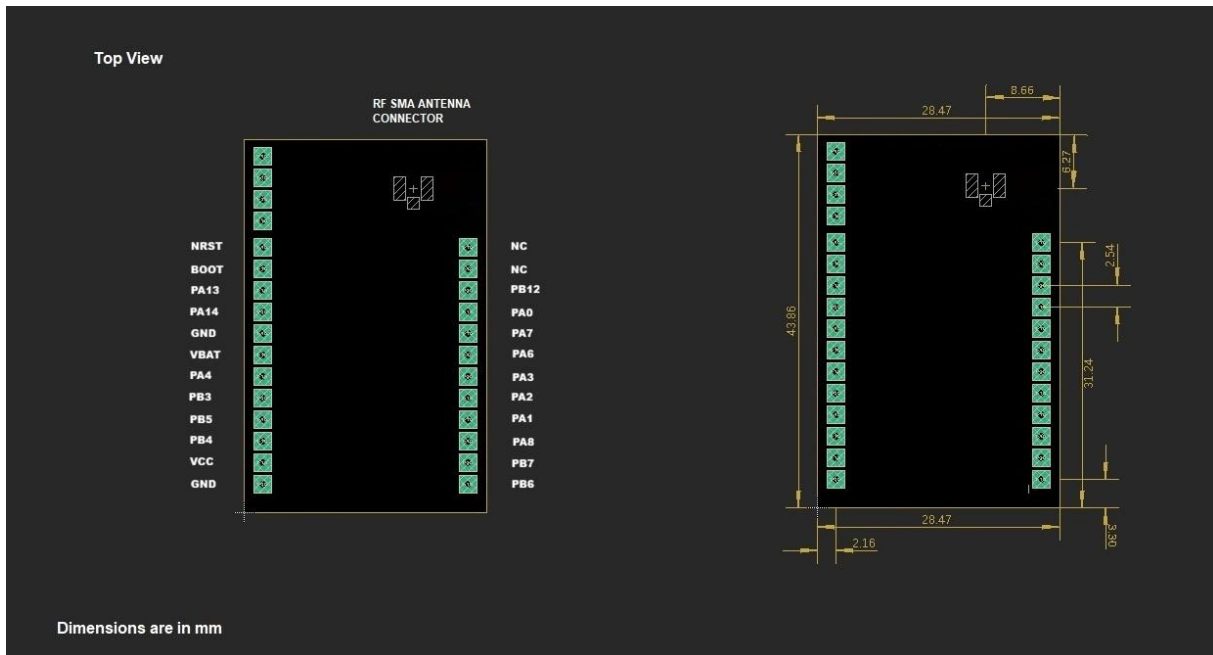


Fig.12 STR09CSH8 Pin and Size Diagram

CONNECTORS		
Pin No	Pin No	Use/(Possible Use)
CA	ANT	RF Output/Antenna
J1-Connector		
J1-1	NRST	Reset
J1-2	BOOT	Boot
J1-3	PA13	SWD Data
J1-4	PA14	SWD Clock
J1-5	GND	0V
J1-6	VBAT	+External battery (optional)
J1-7	PA4	GPIO (SPI chip select)
J1-8	PB3	GPIO (SPI clock)
J1-9	PB5	GPIO (SPI MOSI)
J1-10	PB4	GPIO (SPI MISO)
J1-11	VCC	3.3V (+Positive Supply)
J1-12	GND	0V
J2-Connector		
J2-1	NC	No Connection (NC/Internally GND)
J2-2	NC	No Connection (NC/Internally GND)
J2-3	PB12	GPIO_EXTI (External Interrupt)
J2-4	PA0	GPIO
J2-5	PA7	GPIO
J2-6	PA6	GPIO
J2-7	PA3	GPIO (LPUART RX)
J2-8	PA2	GPIO (LPUART TX)
J2-9	PA1	GPIO (ADC Analog Input)
J2-10	PA8	GPIO (Wakeup)
J2-11	PB7	GPIO (I2C Data)
J2-12	PB6	GPIO (I2C Clrok)

Table 28. Connector and Pin Descriptions (STR09CSH8)

## 8. Ordering Information

Order Code	Description
STR09CSH8	STR09CSH8 868MHz/+20dBm MCU+RF LoRa Transceiver Module (with U.FL RF Connector)

**Table 29. STR09CSH8 Ordering Info**

## Revision History

Date	Revision	Modifications
February 12,2026	1.1	Initial release
March1,2026	1.2	Addition of Test Setup & Measurements Section, image updates and other minor syntax corrections

## References

- 1) STM32WLE5x Datasheet - <https://www.egn-elektronik.com.tr/EN/Datasheets/STM32WLE5x.pdf>
- 2) Semtech SX1262 Datasheet - <https://www.egn-elektronik.com.tr/EN/Datasheets/SX1262.pdf>
- 3) SX1262 Drivers - [https://github.com/Lora-net/sx126x\\_driver](https://github.com/Lora-net/sx126x_driver)
- 4) STM32Cube IDE - <https://www.st.com/en/development-tools/stm32cubeide.html>
- 5) STM32Cube WL Firmware Package <https://www.st.com/en/embedded-software/stm32cubewl.html>
- 6) STM32Cube Programmer - <https://www.st.com/en/development-tools/stm32cubeprog.html>
- 7) Driver for SX126X LoRa radio inside the STM32WLE5x - <https://github.com/Stroom/STM32WLE5x-SX126X-LoRaWAN>