

## NTR08 Series 315MHz/915MHz MP(+20dBm) RF LoRa Transceiver Modules

### Features - Radio

- 315MHz/915MHz ISM Frequency Band, LoRa and (G)FSK modem, SX1262 IC
- Data rate – Up to 300kbps for (G)FSK, Up to 62.5kbps for LoRa
- -146dBm Receiver Sensitivity (LoRa, SF-12, BW-10.4kHz)
- +20dBm RF Output Power (adjustable with 1dB step size)
- Buffer packet data, spectrum shaping, FEC-Forward Error Correction
- Low current consumption, 4.9mA in receive mode, 600nA in sleep mode
- 90mA@+20dBm in transmit mode
- Full radio configuration/control and modem/data parameters

### Other

- Power Supply : 1.8V~3.6V
- Operating Temperature : -40°C~+85°C
- Small profile : 43.10mmx28.60mm

MPN	Frequency	Connector	RF Shield
NTR08RSH9	915MHz	SMA RF Connector	Yes
NTR08RSH3	315MHz	SMA RF Connector	Yes
NTR08CSH9	915MHz	U.FL RF Connector	Yes
NTR08CSH3	315MHz	U.FL RF Connector	Yes
NTR08RFH9	915MHz	SMA RF Connector	No
NTR08RFH3	315MHz	SMA RF Connector	No
NTR08CFH9	915MHz	U.FL RF Connector	No
NTR08CFH3	315MHz	U.FL RF Connector	No



# NTR08XXH9

(Covers NTR08RFH9, NTR08RSH9, NTR08CFH9, NTR08CSH9)

## 915MHz/+20dBm LoRa RF Transceiver Module

Datasheet

## **TABLE OF CONTENTS**

1.	NTR08XXH9 915MHz/+20dBm LoRa RF Transceiver Module in Brief	3
2.	NTR08XXH9 Technical Data	7
3.	Interfacing NTR08XXH9 to Host Controller	8
4.	Operational Modes	10
5.	Setting Modem, Transmitter & Receiver Parameters	13
6.	Module Aspects to Consider for User Application	17
7.	Drawings	23
8.	Ordering Information	25

Revision History

References

## 1. NTR08XXH9 915MHz/+20dBm LoRa RF Transceiver Module in Brief

NTR08XXH9 is a small size, compact, low power and easy to use 915MHz LoRa RF Transceiver module based on Semtech SX1262 Sub-GHz RF Transceiver IC. It supports both LoRa and G(FSK) modulations, provides radio configuration and control via the SPI interface and has up to -146dBm RF receiver sensitivity and up to +20dBm RF output power.

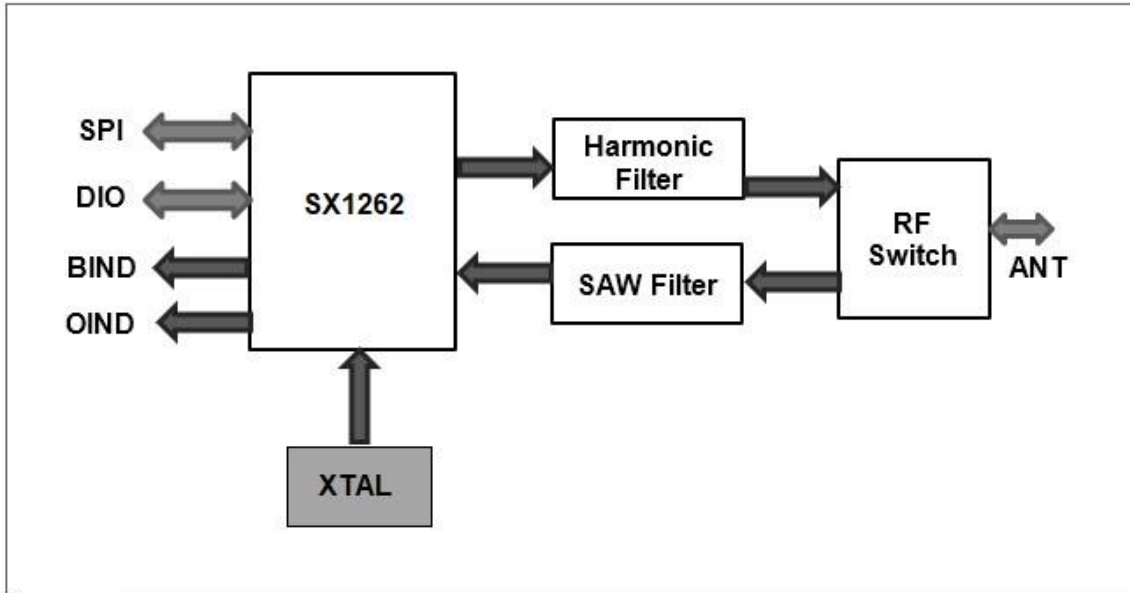


Fig.1 NTR08XXH9 functional blocks and interconnections

### Features

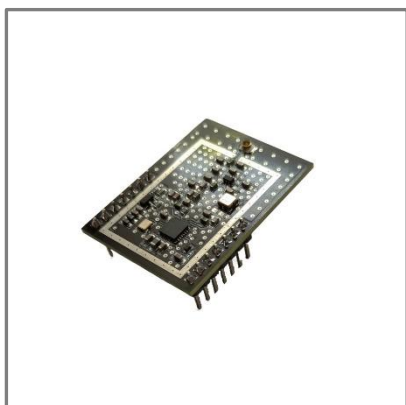
- Wide supply voltage range, 1.8V~3.6V
- Operating frequency 915MHz with LoRa and (G)FSK modems
- Up to 62.5kbps bit rate for LoRa and up to 300kps bit rate for (G)FSK
- Packet mode with data buffer, data whitening codec, FEC-Forward Error Correction
- -146dBm Receiver sensitivity, (@SF12 and LoRa BW-10.4kHz)
- +20dBm RF output power (programmable with 1dB steps)
- High frequency stability, long range and high performance
- Low power consumption,
  - 4.6mA, sleep mode <600nA (in receive mode)
  - 114mA (in transmit mode,@20dBm)
- Radio configuration and control via SPI interface
- Fully programmable frequency, modem, packet parameters and radio operational modes
- Small Size
  - NTR08RFH9 and NTR08RSH9 – 43.10mmx28.60mm
  - NTR08CFH9 and NTR08CSH9 – 38.90mmx28.60mm

### Application Areas

- Low-cost consumer electronics applications, ISM band data communication
- Smart Building Automation
- Industrial Monitoring and Control
- Remote Control, Remote Keyless Entry, Remote AMR, Tag Reader
- Wireless Alarm and Security, Wireless Sensor Node



**Fig.2 NTR08RFH9 (left) and NTR08RSH9 (right)**



**Fig.3 NTR08CFH9 (left) and NTR08CSH9(right)**

**LoRa Modulation Technique**

The NTR08XXH9 uses Semtech’s patented LoRa modulation technique which combines spread spectrum modulation and forward error correction techniques to increase the range and robustness of radio communication links compared with traditional FSK or OOK based modulation. This high sensitivity, in contrast to conventional modulation techniques, permits an increase in link budget and increased immunity to in-band interference, combined with +20dBm RF power output yields industry leading link budget.

LoRa also provides significant advantages in both blocking and selectivity, solving the traditional design compromise between range, interference immunity and energy consumption. In LoRa mode the NTR08XXH9 offers ten bandwidth options as in table below.

Signal Bandwidth	0	1	2	3	4	5	6	7	8	9
BW_L (kHz)	7.81	10.42	15.63	20.83	31.25	41.67	62.5	125	250	500

**Table 1. NTR08XXH9 LoRa Mode BW Options**

The spread spectrum LoRa modulation is performed by representing each bit of payload information by multiple chips of information. The rate at which the spread information is sent is referred to as the symbol rate (Rs), the ratio between the nominal symbol rate and chip rate is the spreading factor and represents the number of symbols sent per bit of information. The range of parameters which can be configured are given in the following tables.

Spreading Factor (SF)	5	6	7	8	9	10	11	12
Chips/Symbol	32	64	128	256	512	1024	2048	4096
SNR (dB)	-2.5	-5.0	-7.5	-10.0	-12.5	-15.0	-17.5	-20.0

**Table 2. NTR08XXH9 LoRa Mode Spreading Factors**

Note that the spreading factor must be known in advance on both transmit and receive sides of the radio link as different spreading factors are orthogonal to each other. Note also the resulting signal to noise ratio (SNR) required at the receiver input. It is the capability to receive signals with negative SNR that increases the sensitivity, so link budget and range, of the LoRa receiver.

To further improve the robustness of the radio link NTR08XXH9 provides cyclic error coding with different coding rates. By using this coding scheme forward error detection and correction can be applied.

**Differentiating Aspects of The NTR08XXH9 915MHz LoRa RF Transceiver Module**

One performance contributor of NTR08XXH9 is use of 915MHz SAW filter in RX path providing high selectivity which consequently providing high interference immunity and high sensitivity resulting in long range and exceptional bit error rate performance even in highly interfering environments with low SNR/SINR values, SAW filter characteristics are given below.

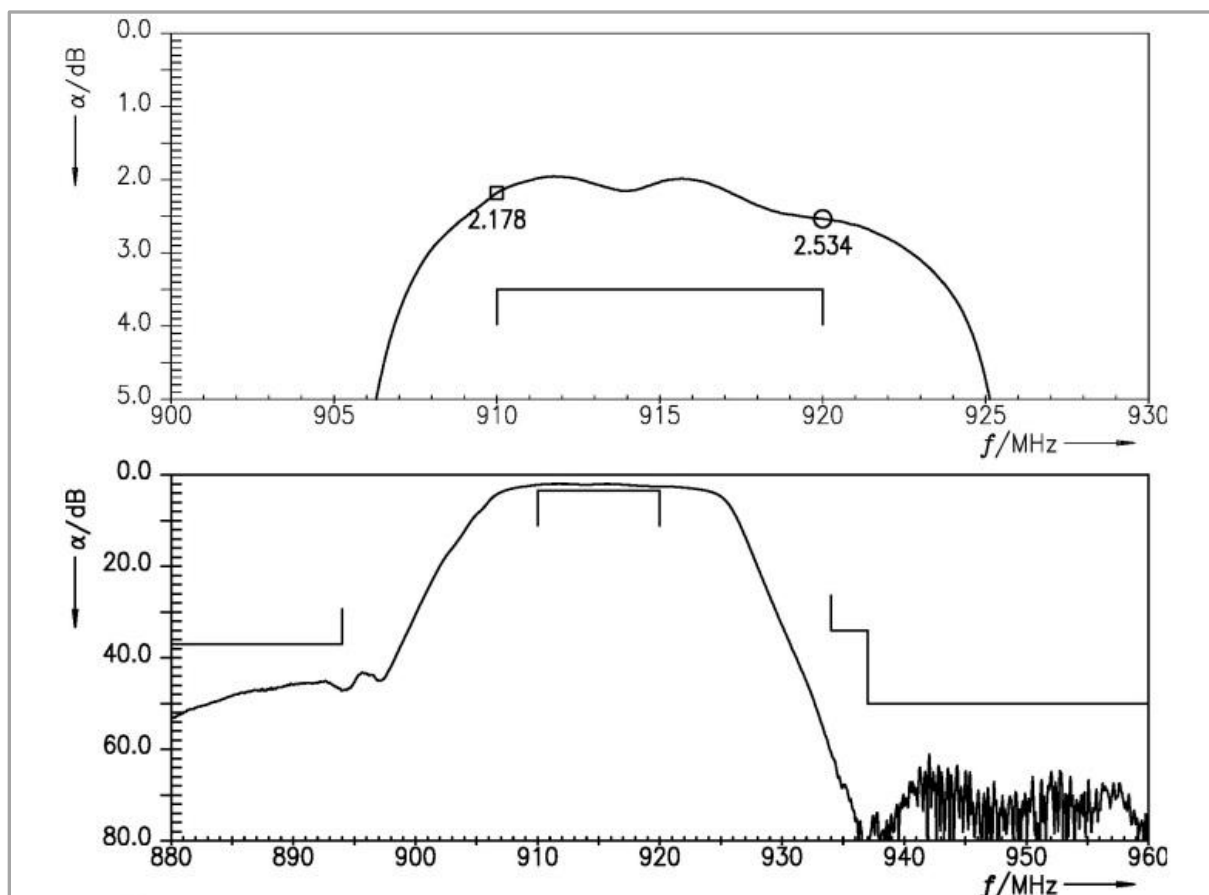
NTR08XXH9 is optimized for +20dBm RF power output, PA settings should be arranged according to Section 5. Setting Modem, Transmitter & Receiver Parameters as in Table12B, for other PA configuration settings matching is not optimum and the RF power output may be different from intended usually at a higher current consumption.

**915MHz SAW Filter for High Selectivity and Interference Immunity**

NTR08XXH9 includes a highly selective 915MHz SAW filter in RF front end in RX path for additional interference suppression. The characteristics of the SAW filter are given in Table 3 and Fig 4 below.

Parameter	Test Conditions	Min	Typical	Max	Unit
Center Frequency		-	915	-	MHz
3-dB Bandwidth		-	10	-	MHz
Attenuation	10 to 873MHz	42	47		dB
	873 to 894MHz	37	44		
	934 to 937MHz	34	56		
	937 to 1000.5MHz	50	56		
	1000 to 1500MHz	47	50		

**Table 3. NTR08XXH9 SAW Filter Characteristics**



**Fig.4 NTR08XXH9 RF Front End SAW Filter Frequency Response**

Due to highly selective SAW filter use, severe performance degradations might be expected when operating frequency selected does not fit inside filter BW, therefore for optimal receiver performance an operating frequency in 910MHz-920MHz range should be selected.

## 2. NTR08XXH9 Technical Data

The tables below give the electrical specifications for the NTR08XXH9 915MHz LoRa RF Transceiver Module operating with LoRa and FSK/(G)FSK modulation.

Symbol	Parameter	Test Conditions	Min	Typical	Max	Unit
$F_{op}$	Operational Frequency/Band	-	-	915	-	MHz
$S_{RFIN-FSK}$	Sensitivity-FSK	@4.8kbps, BW-20kHz	-	-117	-	dBm
		@0.6kbps, BW-4kHz	-	-122	-	
$S_{RFIN-LoRa}$	Sensitivity-LoRa	@SF12, BW-10.4kHz	-	-146	-	dBm
		@SF7, BW-500kHz	-	-116	-	
$CCR_{FSK}$	Co-channel Rejection-FSK			-9		dB
$CCR_{LoRa}$	Co-channel Rejection-LoRa	@SF12		19		dB
$ACR_{FSK}$	Adjacent-channel Rejection-FSK	+/-50kHz offset		45		dB
$ACR_{LoRa}$	Adjacent-channel Rejection-LoRa	+/-187kHz offset, SF-12		72		dB
$BI_{FSK}$	Blocking Immunity-FSK (4.8kbps, BW-20kHz)	+/-1MHz offset		68		dB
		+/-2MHz offset		70		
		+/-10MHz offset		80		
$BI_{LoRa}$	Blocking Immunity-LoRa (SF12, BW-125kHz)	+/-1MHz offset		88		dB
		+/-2MHz offset		90		
		+/-10MHz offset		99		
$IMA$	Image Attenuation-LoRa	with IQ calibration		54		dB
$IIP_3$	Third Order Intercept Point	Two tone test (1MHz/1.96MHz)	-	-5	-	dBm

**Table 4. RF Radio Receiver /Receive Mode Characteristics**

Symbol	Parameter	Test Conditions	Min	Typical	Max	Unit
$F_{op}$	Operational Frequency/Band	-	-	915	-	MHz
$P_{RFOUT}$	Maximum Output Power	-	-	+20	-	dBm
$P_{RF-sat}$	Power Change Step Size	Programmable	-	1	-	dB
$P_{STEP}$	RF Output Power Range	Programmable	-11	-	+20	dBm
$P_{RMP}$	RF Output Power Ramping Time	Programmable	10	-	3400	usec

**Table 5. RF Radio Transmitter/Transmit Mode Characteristics**

Symbol	Parameter	Test Conditions	Min	Typical	Max	Unit
$F_{step}$	Synthesizer Frequency Step Size	-	-	0.95	-	Hz
$SF_{LoRa}$	Spreading Factor-LoRa	Programmable	5	-	12	-
$BR_{LoRa}$	Bit Rate-LoRa	Programmable	0.018	-	62.5	kbps
$BW_{LoRa}$	Bandwidth-LoRa	Programmable	7.8	-	500	kHz
$BR_{FSK}$	Bit Rate-FSK	Programmable	0.6	-	300	kbps
$FDA_{FSK}$	Frequency Deviation-FSK	Programmable	0.6	-	200	kHz

**Table 6. LoRa/FSK Modem and Frequency Synthesizer Characteristics**

Symbol	Parameter	Test Conditions	Min	Typical	Max	Unit
$V_{IH}$	Input High Voltage		0.7*VCC	-	VCC+0.3	V
$V_{IL}$	Input Low Voltage		-0.3	-	0.3*VCC	V
$V_{OH}$	Output High Voltage		0.9*VCC	-	VCC	V
$V_{OL}$	Output Low Voltage		0	-	0.1*VCC	V
$V_{IL\_NRST}$	Input High Voltage for NRST		-0.3	-	0.2*VCC	V

**Table 7. Digital I/O Characteristics**

Symbol	Parameter	Test Conditions	Min	Typical	Max	Unit
$V_{cc}$	Supply Voltage	-	1.8	3.3	3.6	V
$I_{dd\_SLP}$	Current–Sleep mode		-	600	-	nA
$I_{dd\_TX}$	Current–Transmit mode	@+20dBm RF Output	-	114	-	mA
$I_{dd\_RX}$	Current–Receive mode		-	4.6	-	mA
$T_{op}$	Operational Temperature	-	-40	-	+85	°C

**Table 8. Electrical Specifications**

### Absolute Maximum Ratings

“Absolute maximum ratings” may cause permanent damage to the device and is a stress rating only, functional operation of the device under these conditions for extended periods may affect device reliability.

Symbol	Parameter	Max	Unit
$V_{DD}$	Supply voltage	3.6	V
$T_{op}$	Operational Temperature	-40~+85	°C
$T_{stg}$	Storage Temperature	-50~+150	°C
$ESD$	ESD Rating	2(HBM)	kV

**Table 9. Absolute Maximum Ratings**

## 3. Interfacing NTR08XXH9 to Host Controller

The NTR08XXH9 is controlled via a serial SPI interface and a general-purpose input/output (DIO1) used for IRQ. The BIND (Busy Indicator) line is mandatory to ensure the host controller is ready to accept the commands. BIND is used as a busy signal indicating that the module is ready for new command only if this signal is low. When BIND is high, the host controller must wait until it goes down again before sending another command. Through SPI the application sends commands to the internal chip or accesses directly the data memory space.

### Reset

A complete “factory reset” of the SX1262 in module can be issued on request by toggling pin NRST of the NTR08XXH9. It will be automatically followed by the standard calibration procedure and any previous context will be lost. The pin should be held low for more typically 100µs for the Reset to happen.

### SPI Interface

The SPI interface gives access to the configuration register via a synchronous full-duplex protocol corresponding to CPOL= 0 and CPHA = 0 and NTR08XXH9 behaves as slave. An address byte followed by a data byte is sent for a write access whereas an address byte is sent, and a read byte is received for the read access. The NSS pin goes low at the beginning of the frame and goes high after the data byte. MOSI is generated by the master on the falling edge of SCK and is sampled by the slave (i.e. this SPI interface) on the rising edge of SCK. MISO is generated by the slave on the falling edge of SCK. A transfer is always started by the NSS pin going low. MISO is high impedance when NSS is high. The SPI runs on the external SCK clock provided by the master.

### SPI Timing When the Transceiver Leaves Sleep Mode

In Sleep mode and during the initialization phase, the busy signal mapped on BIND pin, is set high indicating to the host that the module is not able to accept a new command. Once the module is in STDBY\_RC mode, the busy signal goes low, and the host can start sending a command. This is also true for startup at battery insertion or after a hard reset.

One way for the module to leave Sleep mode is to wait for a falling edge of NSS. At falling edge, all necessary internal regulators are switched On; the module starts initialization before being able to accept first SPI command. This means that the delay between the falling edge of NSS and the first rising edge of SCK must take into account the wake-up sequence and the initialization.

Through the SPI interface, the host can issue commands to the module or access the data memory space to directly retrieve or write data. In normal operation, a reduced number of direct data write operations is required except when accessing the data buffer. The user interacts with the circuit through an API (instruction set).

The NTR08XXH9 module BIND pin indicates the status of the module and its ability (or not) to receive another command while internal processing occurs. Prior to executing one of the generic functions, it is thus necessary to check the status of BIND to make sure the module is in a state where it can process another function.

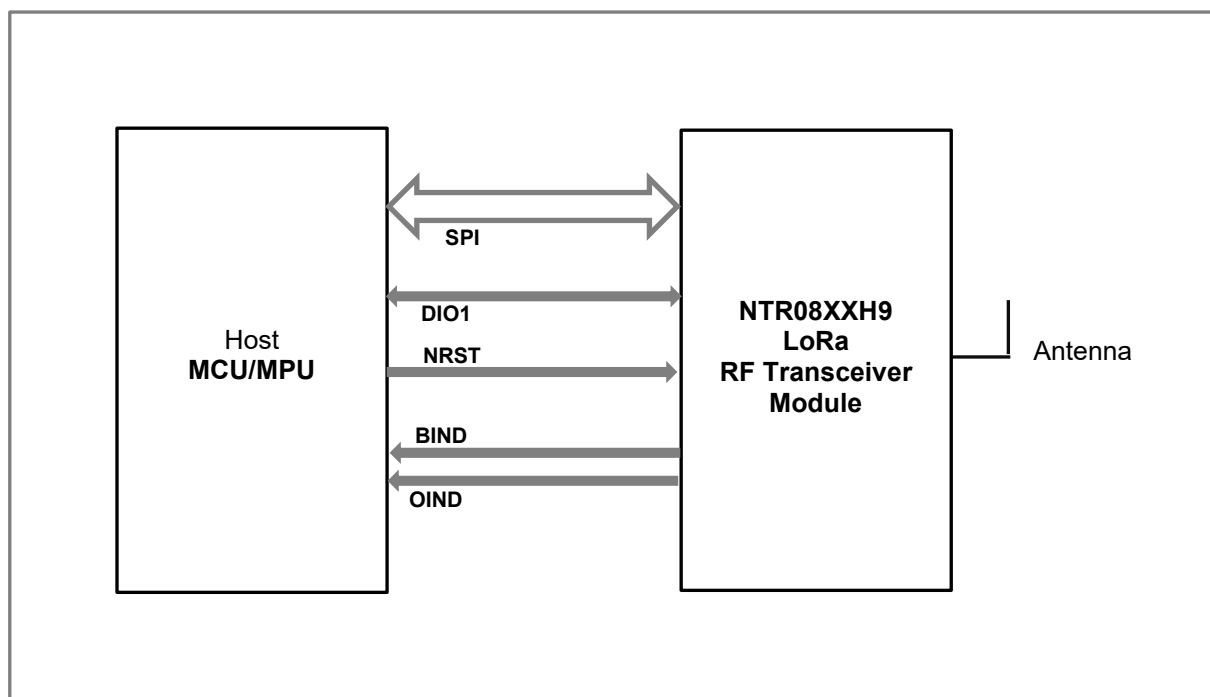
**Command Structure**

In case of a command that does not require any parameter, the host sends only the opcode (1 byte). In case of a command which requires one or several parameters, the opcode byte is followed immediately by parameter bytes with the NSS rising edge terminating the command.

**Transaction Termination**

The host terminates an SPI transaction with the rising NSS signal; the host does not explicitly send the command length as a parameter. The host must not raise NSS within the bytes of a transaction. If a transaction sends a command requiring parameters, all the parameters must be sent before rising NSS, if not the module will take some unknown value for the missing parameters.

More details about SPI interface, command structures, registers and FIFO can be found in SX1262 Datasheet.



**Fig.5 Interfacing NTR08XXH9 to MCU/MPU**

## 4. Operational Modes

The NTR08XXH9 features six operating modes based on operating modes of SX1262, each operating mode is explained in the following table and details of operational modes can be found in SX1262 Datasheet.

Operation Mode	Enabled Blocks
SLEEP	Optional registers, backup regulator, RC64k oscillator, data RAM
STANDBY_RC	Top regulator (LDO), RC13M oscillator
STANDBY_XOSC	Top regulator (DC-DC or LDO), XOSC
FS	All of the above + Frequency synthesizer at Tx frequency
TX	Frequency synthesizer and transmitter, Modem
RX	Frequency synthesizer and receiver, Modem

**Table 10. NTR08XXH9 Operational Modes**

### Startup

At power-up or after a reset, the module goes into STARTUP state, the control being done by the sleep state machine operating at the battery voltage. The BIND pin is set to high indicating that the module is busy and cannot accept a command. When the digital voltage and RC clock become available, SX1262 can boot up and the CPU takes control. At this stage the BIND line goes down and the device is ready to accept commands.

### Calibration

The calibration procedure is automatically called in case of POR or via the calibration command. Parameters can be added to the calibrate command to identify which section of calibration should be repeated. The following blocks can be calibrated:

- RC64k using the 32 MHz XTAL as reference
- RC13M using the 32 MHz XTAL as reference
- PLL to select the proper VCO frequency and division ratio for any RF frequency
- RX ADC
- Image (RX mode with defined tone)

Once the calibration is finished, the chip enters STDBY\_RC mode.

### Sleep Mode

In this mode, most of the radio internal blocks are powered down or in low power mode and optionally the RC64k clock and the timer are running. The chip may enter this mode from STDBY\_RC and can leave the SLEEP mode if one of the following events occurs:

- NSS pin goes low in any case
- RTC timer generates an End-Of-Count (corresponding to Listen mode)

When the radio is in Sleep mode, the BIND pin is held high.

### Standby (STDBY) Mode

In standby mode the host should configure the module before going to RX or TX modes. By default in this state, the system is clocked by the 13 MHz RC oscillator to reduce power consumption (in all other modes except SLEEP the XTAL is turned ON).

However, if the application is time critical, the XOSC block can be turned or left ON. XOSC or RC13M selection in standby mode is determined by mode parameter in the command *SetStandby(...)*.

The mode where only RC13M is used is called STDBY\_RC and the one with XOSC ON is called STDBY\_XOSC.

### Frequency Synthesis (FS) Mode

In FS mode, PLL and related regulators are switched ON. The BIND goes low as soon as the PLL is locked or timed out. For debugging purposes the chip may be requested to remain in this mode by using the *SetFs()* command

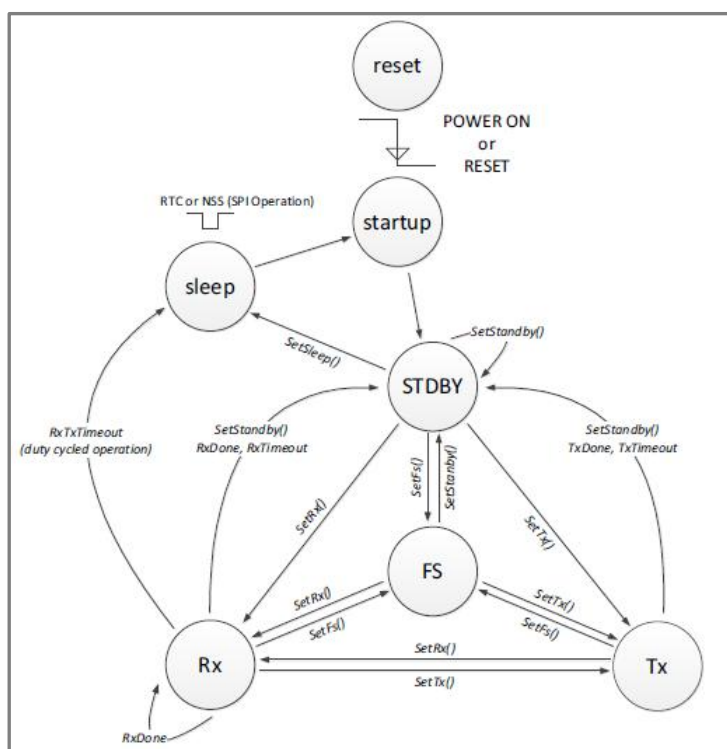
### Receive (RX) Mode

In RX mode, the RF front-end, RX ADC and the selected modem (LoRa or FSK) are turned ON. In RX mode the circuit can operate in different sub-modes:

- Continuous mode: the device remains in RX mode and waits for incoming packet reception until the host requests a different mode,
- Single mode: the device returns automatically to STDBY\_RC mode after packet reception,
- Single mode with timeout: the device returns automatically to STDBY\_RC mode after packet reception or after the selected timeout,
- Listen mode: the device alternate between Sleep and Rx mode until an IRQ is triggered.

In RX mode, BIND will go low as soon as the RX is enabled and ready to receive data.

The NTR08XXH9 can operate in Rx Boosted gain setup or in Rx power saving gain setup. In the Rx power saving gain, the radio will consume less power at a small cost in sensitivity. In Rx Boosted gain, the radio will consume more power to improve the sensitivity.



**Fig.6 NTR08XXH9 Operational Modes**

**Transmit (TX) Mode**

In TX mode, after enabling and ramping-up the Power Amplifier (PA), the contents of the data buffer are transmitted. The circuit can operate in different sub-modes: single mode or single with timeout mode.

In TX mode, BIND will go low as soon as the PA has ramped-up and transmission of preamble starts.

**PA Ramping**

The ramping of the PA can be selected while setting the output power by using the command *SetTxParams(...)*. The PA ramp time can be selected to go from 10us up to 3.4ms.

## 5. Setting Modem, Transmitter & Receiver Parameters

The SX1262 and consequently NTR08XXH9 contains different modems capable of handling LoRa and FSK modulations. LoRa and FSK are associated with their own frame and modem.

The user specifies the modem and frame type by using the command *SetPacketType(...)*. This command specifies the frame used and consequently the modem implemented. This function is the first one to be called before going to Rx or Tx and before defining frequency, modulation and packet parameters.

### LoRa Modulation Technique and LoRa Parameters

The LoRa modem uses spread spectrum modulation and forward error correction techniques to increase the range and robustness of radio communication links compared to traditional FSK based modulation. An important facet of the LoRa modem is its increased immunity to interference. The LoRa modem is capable of co-channel GMSK rejection of up to 19dB. This immunity to interference permits the simple coexistence of LoRa modulated systems either in bands of heavy spectral usage or in hybrid communication networks that use LoRa to extend range when legacy modulation schemes fail.

#### Modulation Parameter

It is possible to optimize the LoRa modulation for a given application, access is given to the designer to four critical design parameters, each one permitting a trade-off between the link budget, immunity to interference, spectral occupancy and nominal data rate. These parameters are:

- Modulation BandWidth (BW\_L)
- Spreading Factor (SF)
- Coding Rate (CR)
- Low Data Rate Optimization (LDRO)

These parameters are set using the command *SetModulationParams(...)* which must be called after *SetPacketType(...)*.

LoRa has its own packet engine that supports the LoRa PHY. More details about LoRa Modem, LoRa Modulation Parameters, LoRa Packet Engine, LoRa Frame and LoRa Channel Activity Detection (CAD) can be found in SX1262 Datasheet.

### FSK/(G)FSK Modulation Technique and FSK/(G)FSK Parameters

The FSK modem can perform transmission and reception of 2-FSK modulated packets over a range of data rates from 0.6 kbps to 300 kbps. All parameters are set by using the command *SetModulationParams(...)*. This function should be called only after defining the protocol. The bitrate setting is referenced to the crystal oscillator and provides a precise means of setting the bit rate (or equivalently chip) rate of the radio.

The SX1262 and consequently NTR08XXH9 is designed for packet-based transmission. The packet controller block is responsible for assembly of the received data bit-stream into packets and their storage into the data buffer. It also performs the bit-stream decoding operations such as de-whitening & CRC-checks on the received bit-stream. On the transmit side, the packet handler can construct a packet and send it bit by bit to the modulator for transmission. It can whiten the payload and append the CRC-checksum to the end of the packet. The packet controller only works in half-duplex mode i.e. either in transmit or receive at a time. The packet controller is configured using the command *SetPacketParams(...)*

More details about FSK Modem, FSK Modulation Parameters, FSK Packet Format, FSK Frame and CRC use in FSK can be found in SX1262 Datasheet.

## RF Frequency, PA and TX Parameters

### RF Frequency Setting

The command *SetRfFrequency(...)* is used to set the frequency of the RF frequency mode. The LSB of Freq is equal to the PLL step giving:

$$Rf\text{frequency} = \frac{RfFreqx\text{XTAL}}{2^{25}}$$

*SetRfFrequency(...)* defines the chip frequency in FS, TX and RX modes. In RX, the frequency is internally lowered to IF (250kHz by default).

Byte	0	1-4
Data from Host	Opcode=0x86	RFfreq(31:0)

**Table 11. RF Frequency Setting**

RF Frequency	RFfreq(31:0)
915MHz	0x39300000
912MHz	0x39000000
914MHz	0x39200000
916MHz	0x39400000
918MHz	0x39600000

**Table 11B. NTR08XXH9 Typical Frequency Settings**

### PA Configuration

NTR08XXH9 PA matching hardware is optimal for +20dBm output power, therefore a sample set of PA settings are provided here.

*paDutyCycle* controls the duty cycle (conduction angle). The maximum output power, the power consumption, and the harmonics will drastically change with *paDutyCycle*. Changing the *paDutyCycle* will affect the distribution of the power in the harmonics and should be selected to work in conjunction with a given matching network. For implemented matching network, *paDutyCycle* can be selected as 0x04.

*hpMax* selects the size of the PA. The maximum output power can be reduced by reducing the value of *hpMax*. For implemented matching network, *hpMax* can be selected as 0x06.

*deviceSel* is reserved and has always the value 0x00.

*paLut* is reserved and has always the value 0x01.

PA Optimal Settings

Byte	0	1	2	3	4
Data from Host	Opcode=0x98	paDutyCycle	hpMax	deviceSel	paLut

**Table 12. PA Settings**

Byte	0	1	2	3	4
Data from Host	Opcode=0x98	0x04	0x06	0x00	0x01

**Table 12B. NTR08XXH9 Recommended PA Settings**

TX Parameters

*SetTxParams* command sets the TX output power by using the parameter *power* and the TX ramping time by using the parameter *RampTime*.

The power ramp time is defined by the parameter *RampTime* as defined in the following table

Byte	0	1	2
Data from Host	Opcode=0x8E	power	RampTime

**Table 13. TX Settings**

Byte	0	1	2
Data from Host	Opcode=0x8E	0x16	0x00

**Table 13B. NTR08XXH9 Recommended TX Settings**

RampTime	Value	RampTime(us)
SET_RAMP_10U	0x00	10
SET_RAMP_20U	0x01	20
SET_RAMP_40U	0x02	40
SET_RAMP_80U	0x03	80
SET_RAMP_200U	0x04	200
SET_RAMP_800U	0x05	800
SET_RAMP_1700U	0x06	1700
SET_RAMP_3400U	0x07	3400

**Table 14. PA Ramp Time Settings**

## Data Buffer

The transceiver is equipped with a 256-byte RAM data buffer which is accessible in all modes except sleep mode. This RAM area is fully customizable by the user and allows access to either data for transmission or from the last packet reception.

### Data Buffer in Receive Mode

In receive mode *RxBaseAddr* specifies the buffer offset in memory at which the received packet payload data will be written. The buffer offset of the last byte written in receive mode is then stored in *RxDataPointer* which is initialized to the value of *RxBaseAddr* at the beginning of the reception.

The pointer to the first byte of the last packet received and the packet length can be read with the command *GetRxbufferStatus()*. In single mode, *RxDataPointer* is automatically initialized to *RxBaseAddr* each time the transceiver enters Rx mode. In continuous mode the pointer is incremented starting from the previous position.

### Data Buffer in Transmit Mode

Upon each transition to transmit mode *TxDataPointer* is initialized to *TxBaseAddr* and is incremented each time a byte is sent over the air. This operation stops once the number of bytes sent equals the *payloadlength* parameter as defined in the function *SetPacketParams(...)*.

### Using the Data Buffer

Both, *RxBaseAddr* and *TxBaseAddr* are set using the command *SetBufferBaseAddresses(...)*. By default *RxBaseAddr* and *TxBaseAddr* are initialized at address 0x00.

Due to the contiguous nature of the data buffer, the base addresses for Tx and Rx are fully configurable across the 256-byte memory area. Each pointer can be set independently anywhere within the buffer. To exploit the maximum data buffer size in transmit or receive mode, the whole data buffer can be used in each mode by setting the base addresses *TxBaseAddr* and *RxBaseAddr* at the bottom of the memory (0x00).

The data buffer is cleared when the device is put into Sleep mode (implying no access). The data is retained in all other modes of operation.

### Note:

All the received data will be written to the data buffer even if the CRC is invalid, permitting user-defined post processing of corrupted data. When receiving, if the packet size exceeds the buffer memory allocated for the Rx, it will overwrite the transmit portion of the data buffer.

More details about Data Buffer, Use of Data Buffer, Writing to and Reading from Buffer and Registers can be found in SX1262 Datasheet.

## 6. Module Aspects To Consider for User Application

NTR08XXH9 LoRa RF Transceiver module uses low ppm XTAL for high frequency stability and also an RF switch for TX and RX path switching in transmit and receive modes respectively. The user application code should contain proper settings for DC-DC or LDO Only mode of regulator operation, XTAL use, RF switch use and proper calibration as detailed in following sections.

### LDO Only or DC-DC Mode of Operation

In SX1262 two forms of voltage regulation (DC-DC buck converter or linear LDO regulator) are available, the linear LDO regulator is always present in all modes but the transceiver will use DC-DC when selected. By default, only the LDO is used. *SetRegulatorMode(...)* function specifies if DC-DC or LDO is used for power regulation. The user can specify the use of DC-DC by using the command *SetRegulatorMode(...)*. This operation must be carried out in STDBY\_RC mode only. The regulation mode is defined by parameter *regModeParam*.

Byte	0	1
Data from Host	Opcode=0x96	regModeParam 0: Only LDO used for all modes 1: DC DC+LDO for STBY XOSC,FS, RX and TX

Table 15. Regulator Mode Selection

**Hardware implementation of the NTR08XXH9 allows using LDO only or LDO plus DC-DC mode of operations.**

### Image Calibration for 915MHz Frequency Band

Image calibration is done through the command *CalibrateImage(...)* for a given range of frequencies defined by the parameters *freq1* and *freq2*. Once performed, the calibration is valid for all frequencies between the two extremes used as parameters. Typically, the user can select the parameters *freq1* and *freq2* to cover any specific ISM band.

Byte	0	1	2
Data from Host	Opcode=0x98	freq1	freq2

Table 16. Image Calibration for 915MHz frequency band

By default, the image calibration is made in the band 902MHz-928MHz, it can be repeated by requesting the device to perform a new image calibration for 915MHz frequency band by defining 902MHz-928MHz MHz band.

Frequency Band	freq1	freq2
902MHz-928MHz	0xE1	0xE9

Table 17. Image Calibration Frequencies

### Use of RF Switch (controlled by DIO2)

NTR08XXH9 uses an RF switch to activate/deactivate TX and RX paths in transmit and receive modes respectively, and RF switch used is controlled by DIO2 multifunction I/O pin of SX1262, therefore the user application should take use of DIO2 into account detailed as follows.

DIO2 should be configured to drive the RF switch through the use of the command *SetDio2AsRfSwitchCtrl(...)*. In this mode, DIO2 will be at a logical 1 during Tx and at a logical 0 in any other mode. DIO2 will be asserted high a few microseconds before the ramp-up of the PA and will be set to zero after the ramp-down of the PA.

Byte	0	1
Data from Host	Opcode=0x9D	enable

**Table 20. DIO2 RF Switch Configuration**

The enable byte definition is given as follows:

Enable	Description
0x00	DIO2 is free to be used as an IRQ
0x01	DIO2 is selected to be used to control an RF switch. In this case: DIO2 = 0 in SLEEP, STDBY_RX, STDBY_XOSC, FS and RX modes, DIO2 = 1 in TX mode

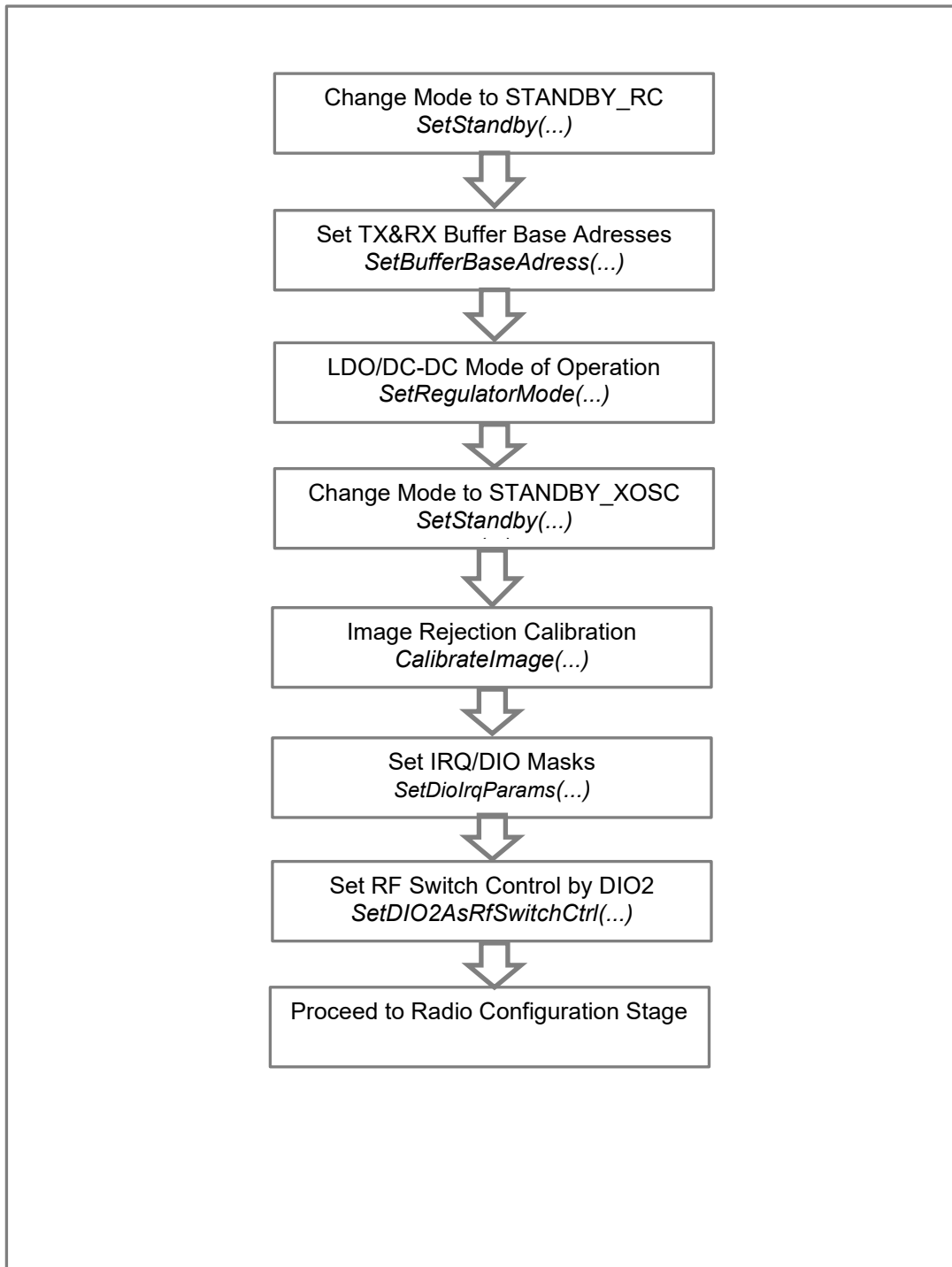
**Table 21. DIO2 Options**

**Note:**

**For proper operation of the NTR08XXH9, the DIO2 should be configured accordingly by enabling with 0x01 parameter.**

**Application Code Structure and Issuing Commands in the Right Order**

NTR08XXH9 hardware is suitable for LDO only or DC-DC regulator mode of operation and includes an RF switch controlled by DIO2 of SX1262, therefore related IRQ/DIO mask settings, RF switch settings should be configured, transmit and receive buffer base addresses should be defined and calibration should be performed before radio configuration and operation.



**Fig.7 Configuration and Settings - Standby Mode**

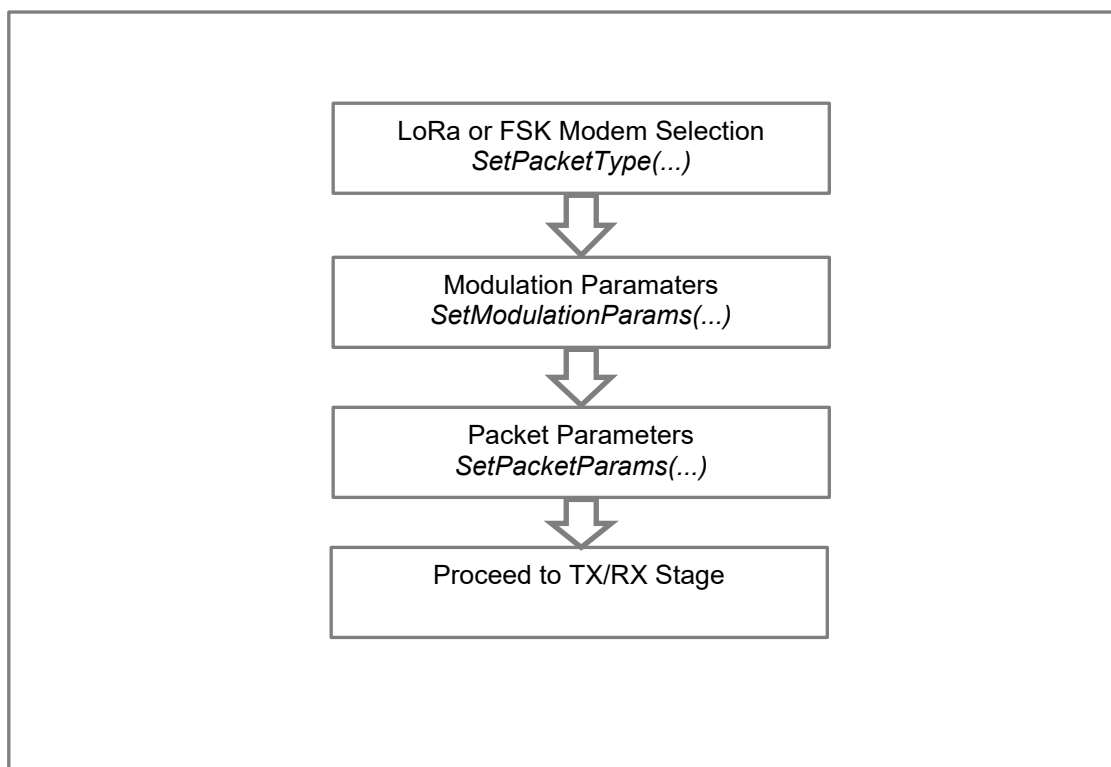
Most of the commands can be sent in any order except for the radio configuration commands which will set the radio in the proper operating mode.

It is mandatory to set the radio protocol using the command *SetPacketType(...)* as a first step before issuing any other radio configuration commands.

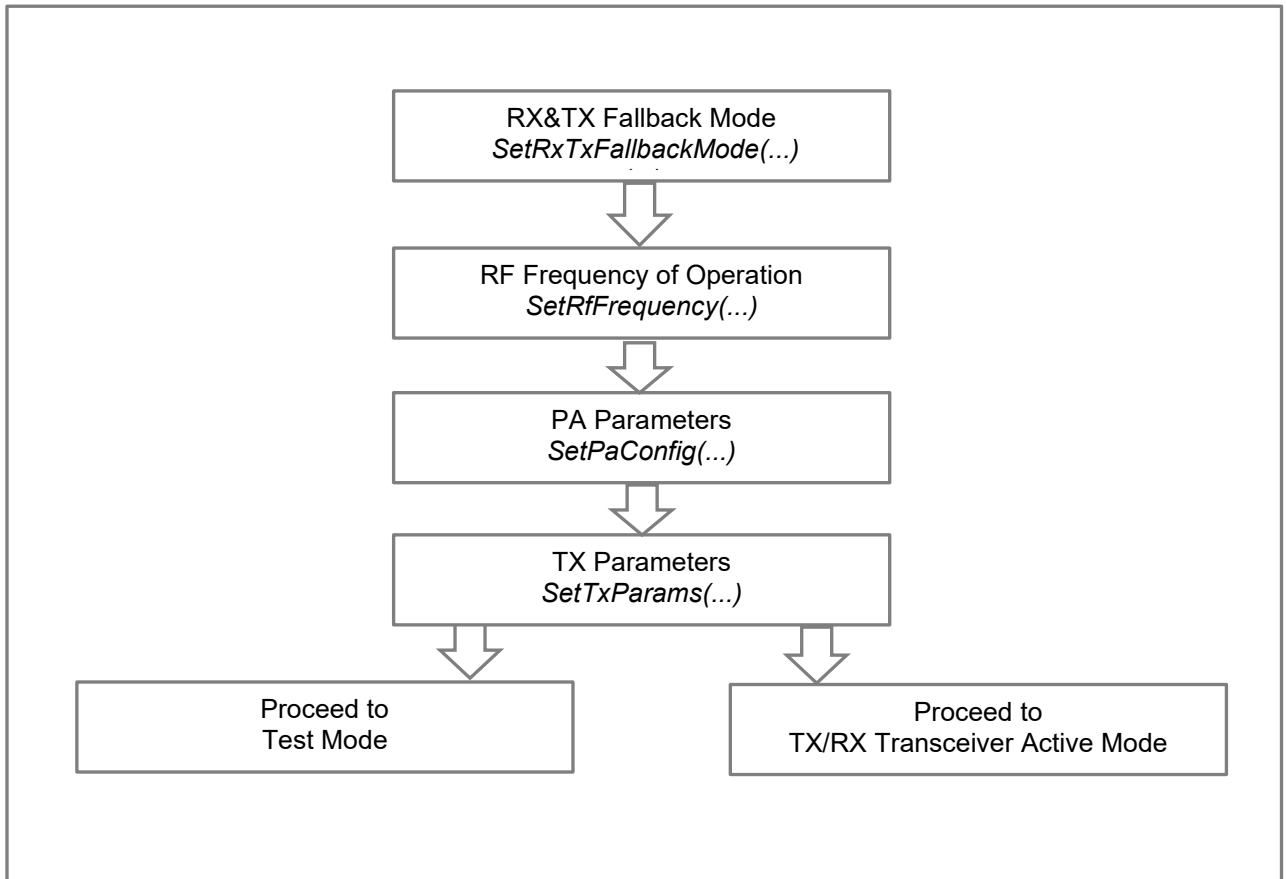
In a second step, the user should define the modulation parameter according to the chosen protocol with the command *SetModulationParams(...)*.

Finally, the user should then select the packet format with the command *SetPacketParams(...)*.

**Note:** If this order is not respected, the behavior of the device could be unexpected



**Fig.8 Configuration and Settings - Modem Selection, Modulation and Packet Parameters**



**Fig.9 Configuration and Settings – RF Frequency, PA and TX/RX Parameters**

## 7. Drawings

Figure.10 and Figure.11 depict a description of connector pinout and module dimensions for NTR08RFH9/NTR08RSH9 and NTR08CFH9/NTR08CSH9 respectively. A detailed description of the individual pins can be found in Table 22 Connector and Pin Descriptions.

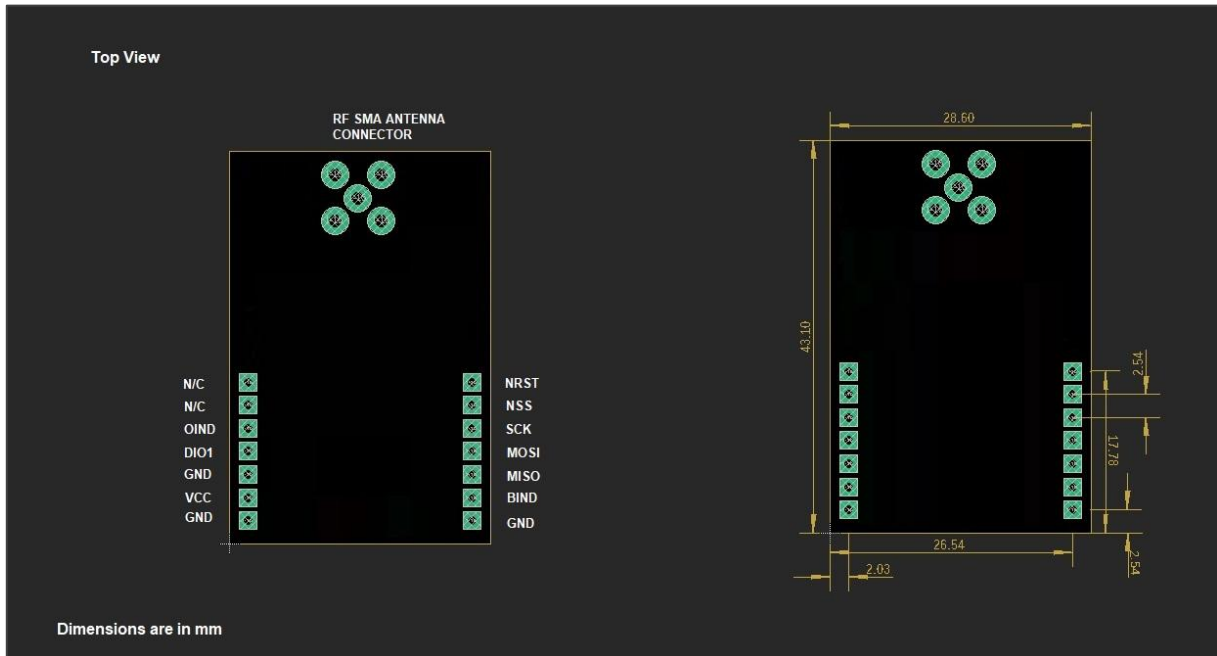


Fig.10 NTR08RFH9/NTR08RSH9 Pin and Size Diagram

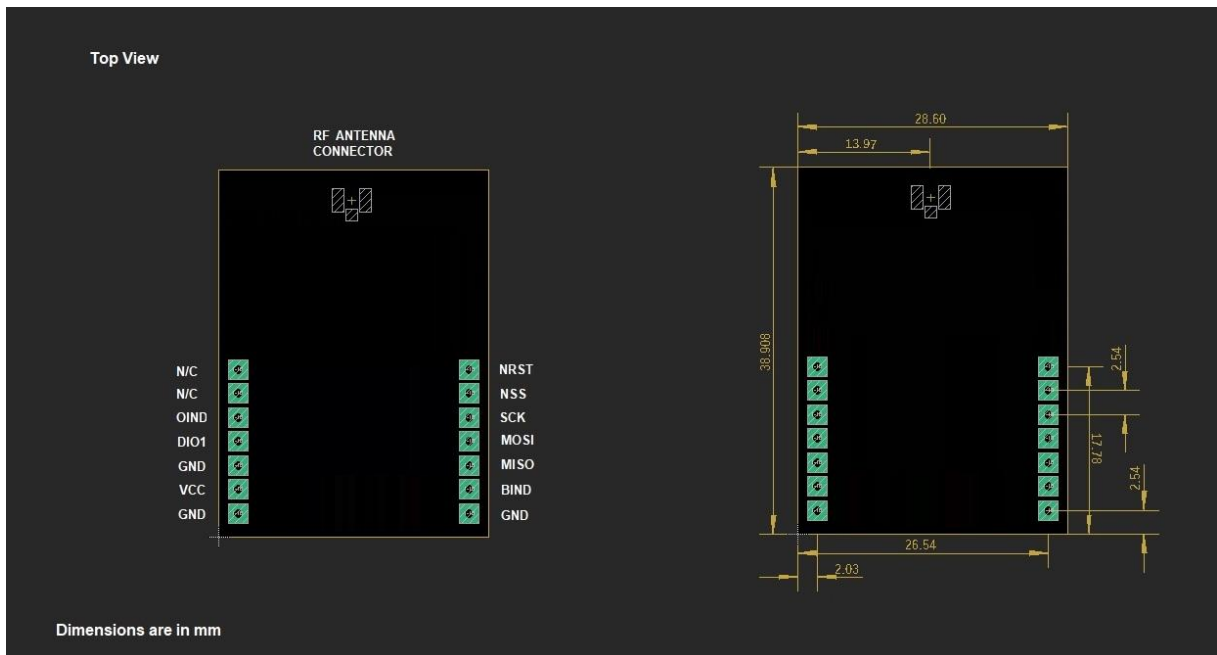


Fig.11 NTR08CFH9/NTR08CSH9 Pin and Size Diagram

<b>CONNECTORS</b>		
<b>Pin No</b>	<b>Pin Name</b>	<b>Pin Function</b>
CA	ANT	RF Output/Antenna
<b>J1-Connector</b>		
J1-1	N/C	No Connection (Internally GND)
J1-2	N/C	No Connection (Internally GND)
J1-3	OIND	Operation Indicator
J1-4	DIO1	Data I/O
J1-5	GND	0V, Ground
J1-6	VCC	+Supply Voltage
J1-7	GND	0V, Ground
<b>J2-Connector</b>		
J2-1	NRST	Reset
J2-2	NSS	SPI chip select
J2-3	SCK	SPI clock
J2-4	MOSI	SPI MOSI
J2-5	MISO	SPI MISO
J2-6	BIND	Busy Indicator
J2-7	GND	0V, Ground

**Table 22. Connector and Pin Descriptions (NTR08RFH9, NTR08RSH9, NTR08CFH9, NTR08CSH9)**

## 8. Ordering Information

Order Code	Description
NTR08RFH9	NTR08RFH9 915MHz/+20dBm LoRa RF Transceiver Module (with SMA RF Connector)
NTR08CFH9	NTR08CFH9 915MHz/+20dBm LoRa RF Transceiver Module (with U.FL RF Connector)
NTR08RSH9	NTR08RSH9 915MHz/+20dBm LoRa RF Transceiver Module (with RF Shield and SMA RF Connector)
NTR08CSH9	NTR08CSH9 915MHz/+20dBm LoRa RF Transceiver Module (with RF Shield and U.FL RF Connector)

**Table 23. NTR08XXH9 Variants and Ordering Info**

## Revision History

Date	Revision	Modifications
August 12, 2024	1.1	Initial release

## References

- 1) Semtech SX1262 Datasheet - <https://www.egn-elektronik.com.tr/EN/Datasheets/SX1262.pdf>
- 2) SX1262 Drivers - [https://github.com/Lora-net/sx126x\\_driver](https://github.com/Lora-net/sx126x_driver)